 = 1 sq foot

General Setup Instructions

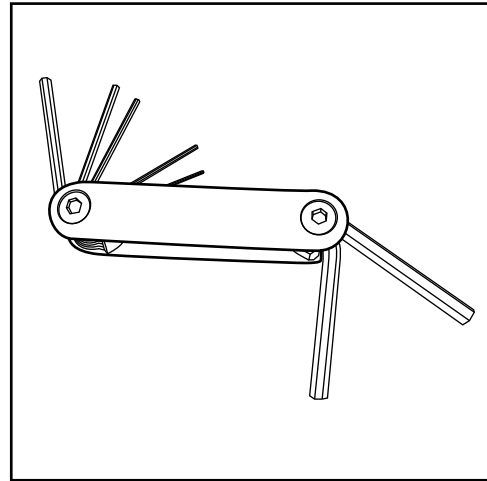
- Read entire setup instruction manual prior to unpacking parts and pieces.
- The setup instructions are created specifically for this configuration.
- Setup instructions are laid out sequentially in steps, including exploded views with detailed explanation for assembly.

Cleaning & Packing

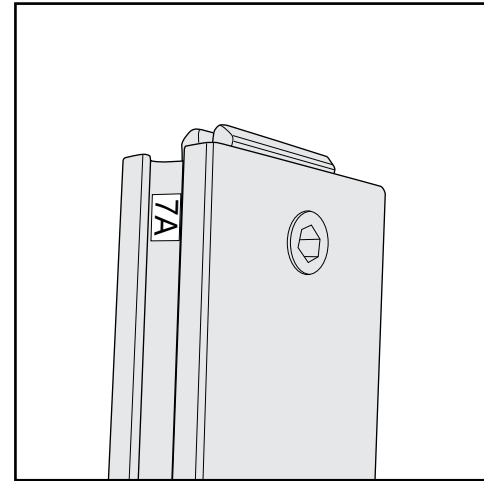
- For Cleaning Metal, Plex, & Laminate Parts: Use a **MILD NON-ABRASIVE** cleanser and soft cloth/paper towel to clean all surfaces.
- Keep exhibit components away from heat and prolonged sun exposure. **Heat and UV exposure will warp and fade components.**
- Retain all provided Packing Materials. All provided packing materials are for ease of repacking & component protection.

Disassembly

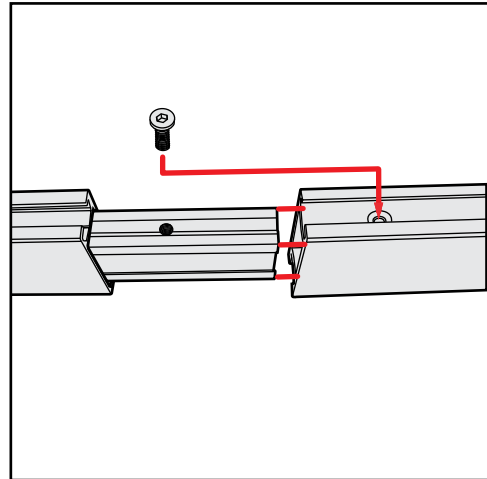
- For loss prevention, tighten all set screws and locks during disassembly.



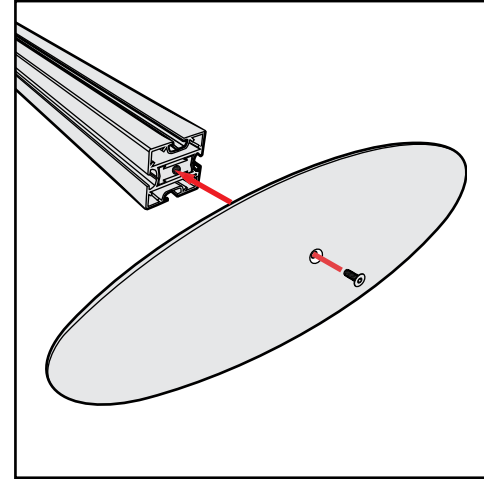
Hex Tool - Essential for Assembly



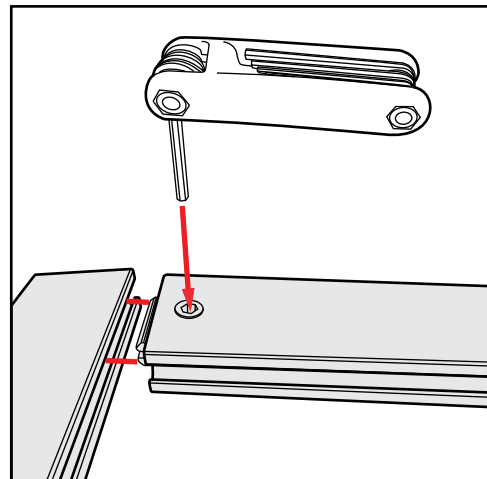
Part Identification - Numbering



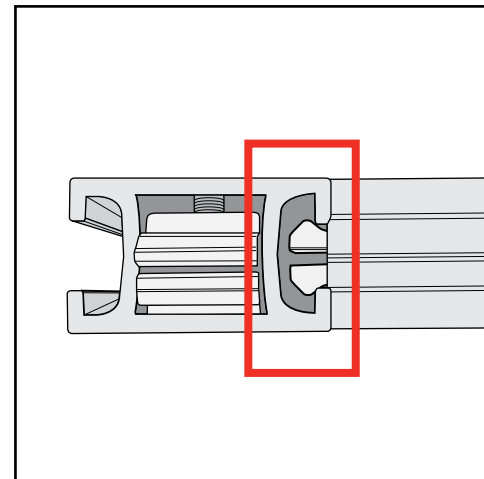
Spline Connection



Base Plate & Extrusion Connection



Extrusion & Lock Connection



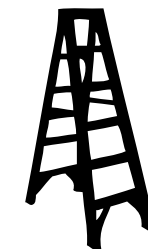
Engaged Lock



WARNING



DO NOT USE POWER TOOLS



LADDERS OR LIFTS
MAY BE REQUIRED

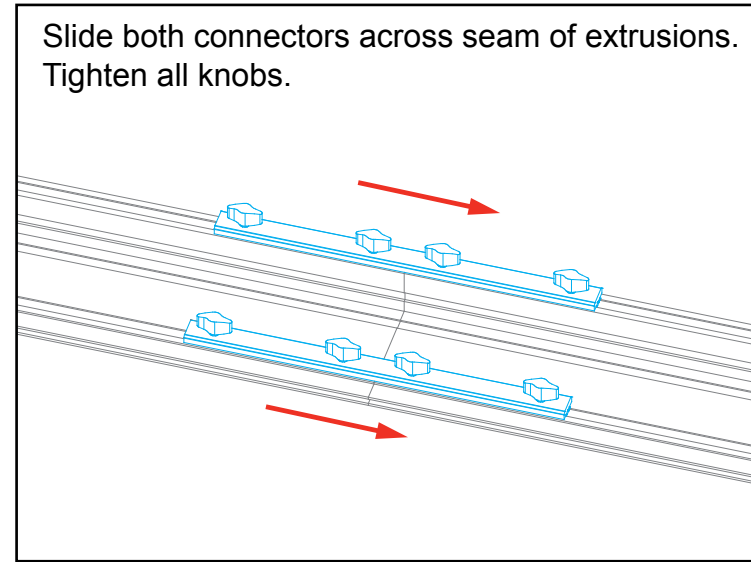
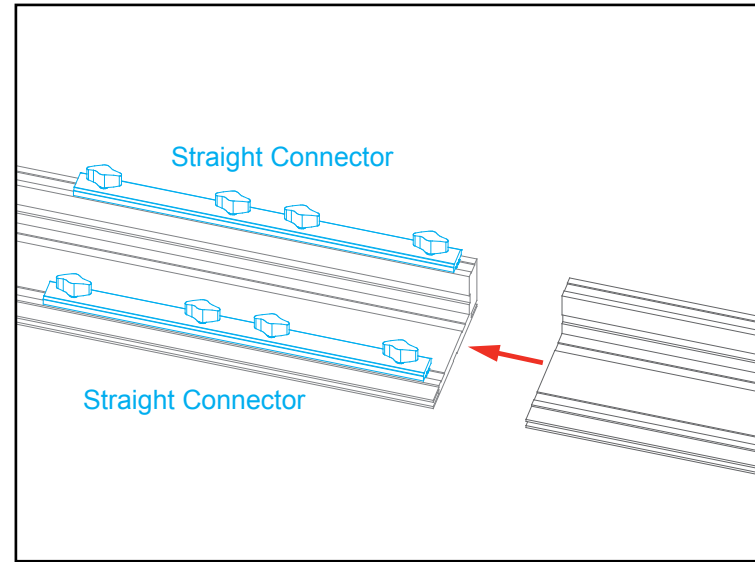


ALL CONNECTIONS MUST
BE TIGHTLY SECURED

Straight Connection

When assembling frame, first attach all **straight connectors**, then attach **corner connectors**.

- 1) Place extrusions end-to-end.
- 2) Loosen all knobs, then slide **straight connectors** across the seam of extrusions.
- 3) Tighten all knobs to secure connection.



All knobs must be tightened securely to ensure a proper connection.

Disassembly

- 1) Loosen all knobs.
- 2) Slide connectors off of one extrusion.
- 3) Tighten knobs to prevent loss during packing & shipping.

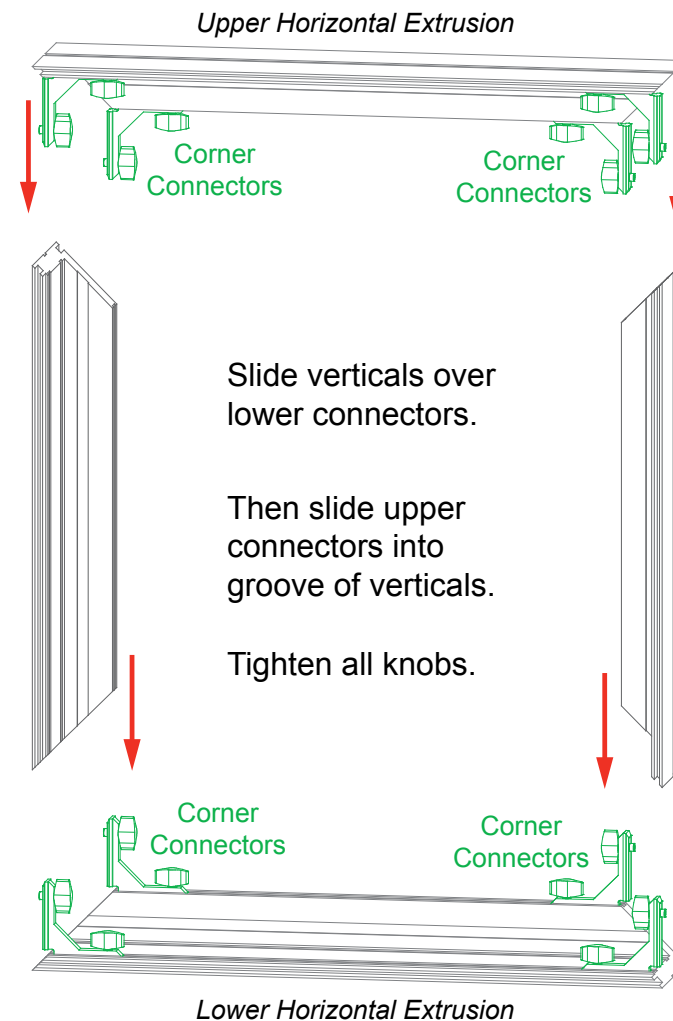
Keep straight connectors in groove of extrusion. Do not remove connectors during disassembly.

Corner Connection

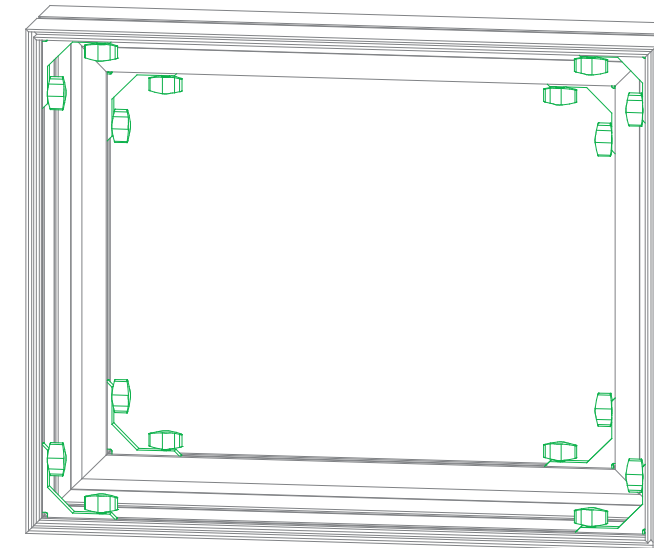
- 1) Loosen knobs, then slide vertical extrusions onto **corner connectors** of **lower** horizontal extrusion.
- 2) Slide **corner connectors** of **upper** horizontal extrusion into grooves of vertical extrusions.
- 3) Tighten all knobs to secure connection.

Disassembly

- 1) Loosen knobs on vertical extrusions.
- 2) Slide the vertical extrusions off of **corner connectors** on lower and upper horizontal extrusions.

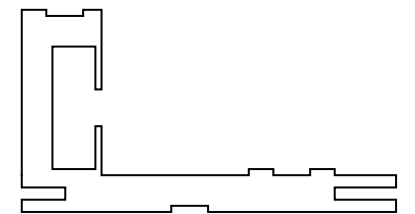


Adjust connectors if necessary to prevent gaps in connection.

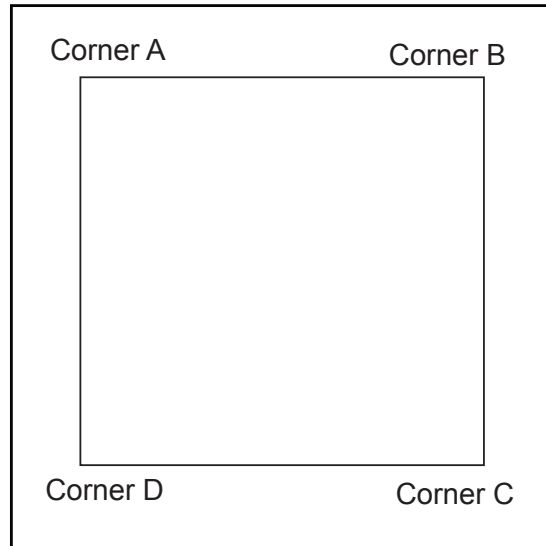


COMPLETED ASSEMBLY

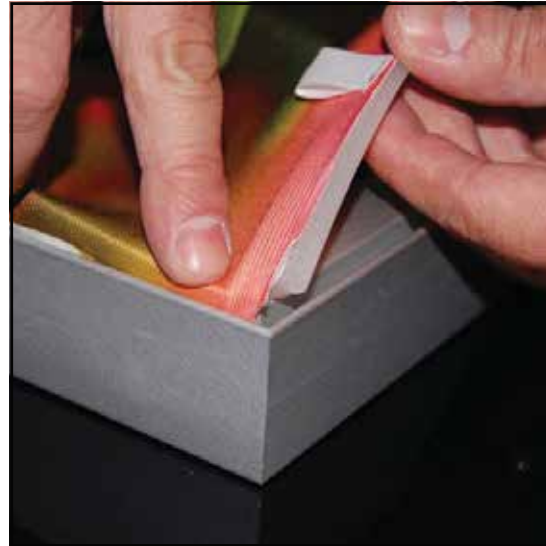
All knobs must be tightened securely to ensure a proper connection.



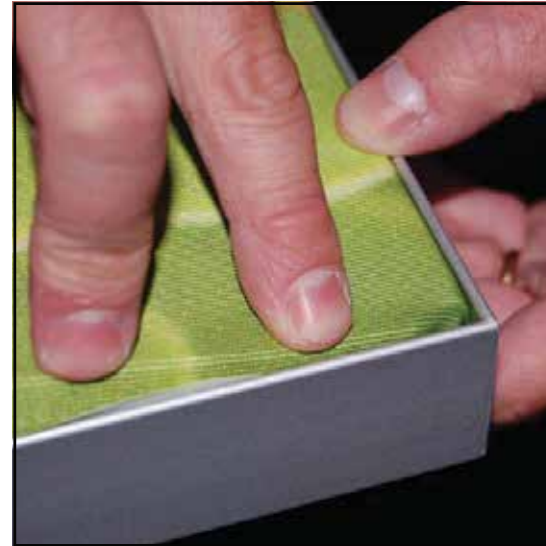
CEI110 Profile



It is important to first insert graphic into each alternate corner then to the sides of the frame. If this is not done, graphic will not fit into the frame correctly.



Step 1
Insert corner A. Turn edge of graphic so silicon welt is perpendicular to face of graphic. Insert narrow side of welt with fabric to outside into the channel. Repeat for other side of this corner.

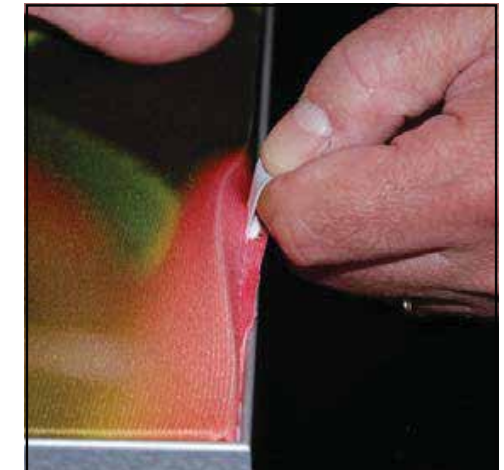


Step 2
Repeat Step 1 for opposite corner C, then insert corner B, followed by corner D, to complete the installation of the corners.

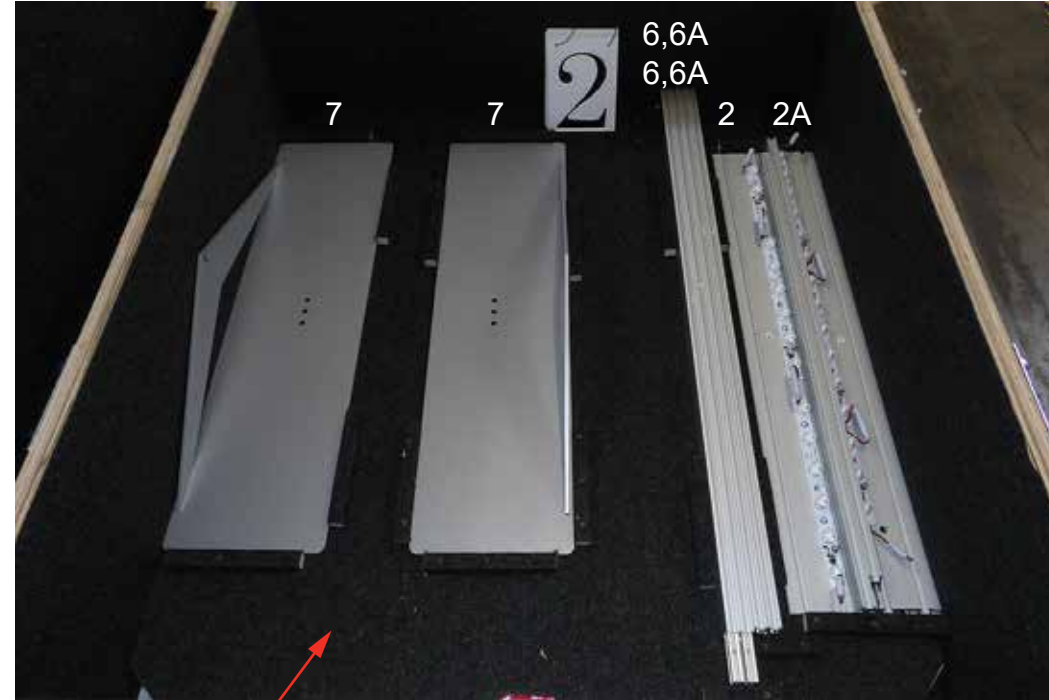


Step 3
Once all corners are inserted, press one silicon edge into channel from corners and work toward the center. Make sure welt is fully inserted into channel. Continue until all sides are done. Smooth out edges of graphic.

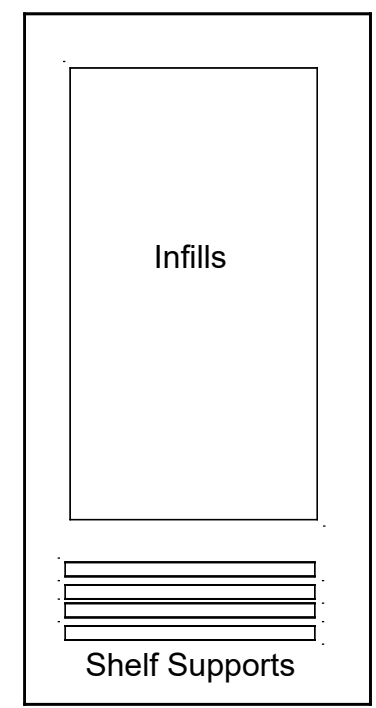
Graphic Removal



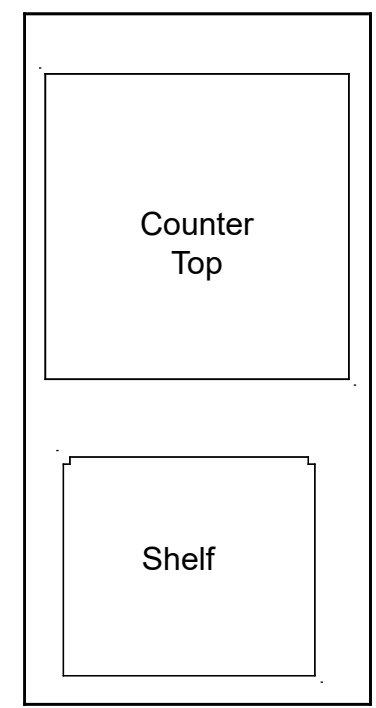
To remove the graphic from the frame, locate the fabric pull tab. Gently pull up on the tab to remove the fabric.



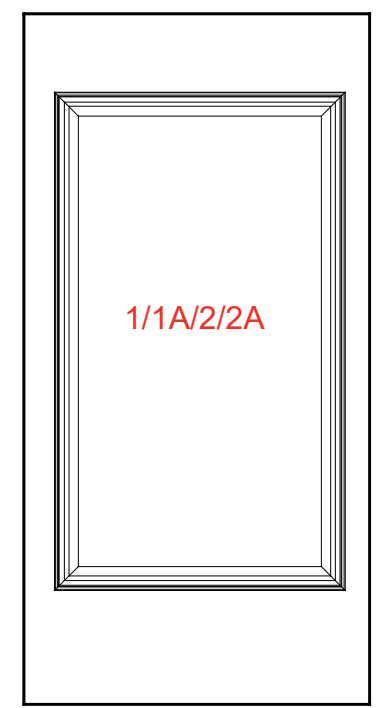
Top View of Each Level



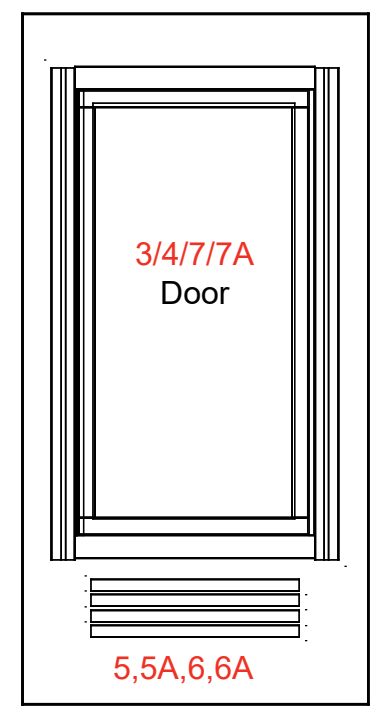
Level 1
(Bottom level)



Level 2



Level 3



Level 4

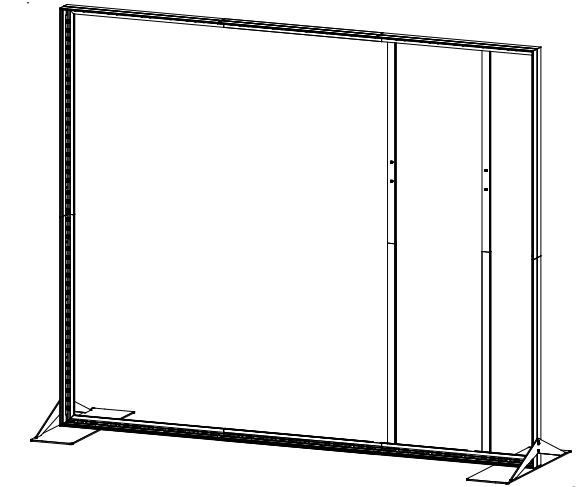
Item	Qty.	Description
1,1A	1,1	38" CEI110 Horizontal Extrusion
2,2A	1,1	38" CEI110 Horizontal Extrusion
3,3A	1,1	38" CEI110 Horizontal Extrusion
4,4A	1,1	47.5" CEI110 Vertical Extrusion
5,5A	1,1	47.5" CEI110 Vertical Extrusion
6,6A	2,2	45.677" Z45 Vertical Extrusion
7	2	Base Plate

Assemble frame flat on ground.

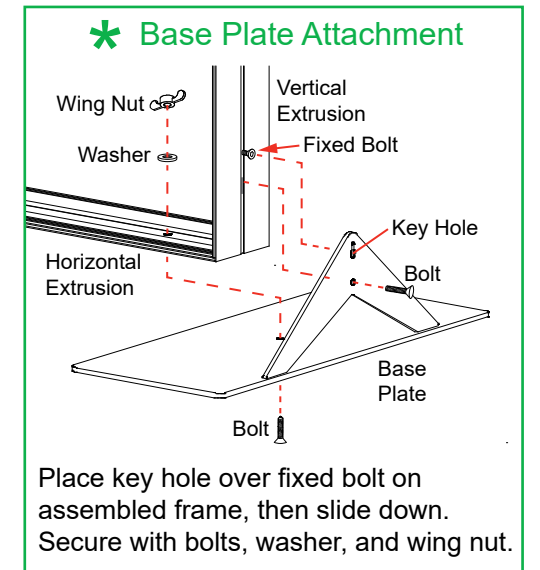
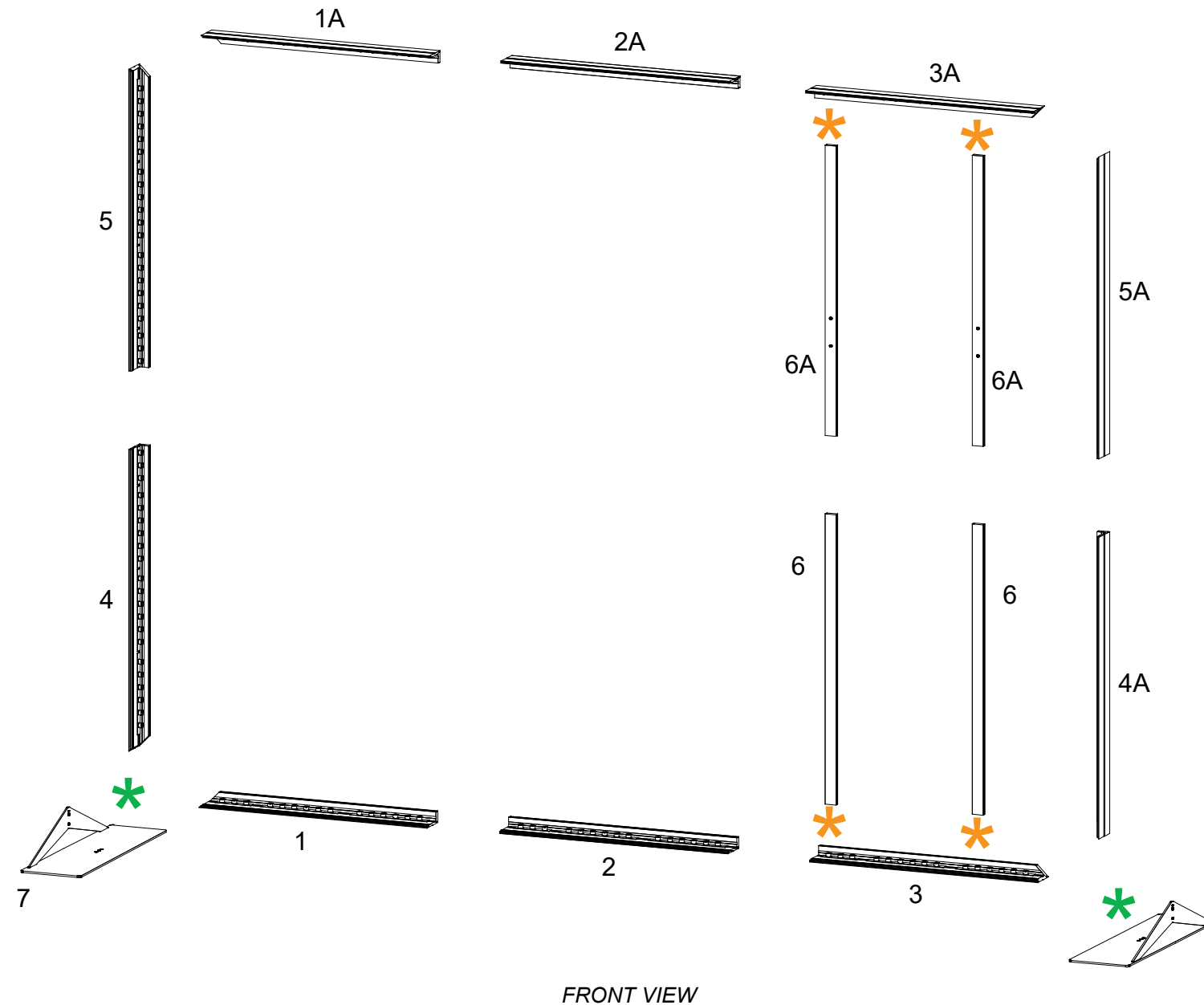
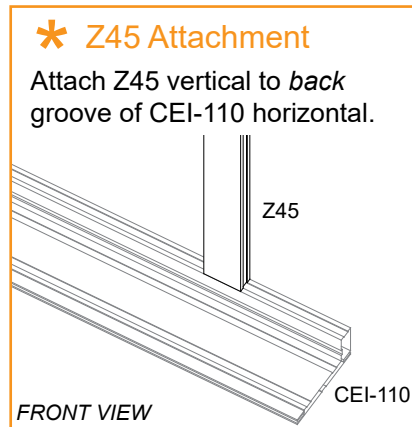
Steps:

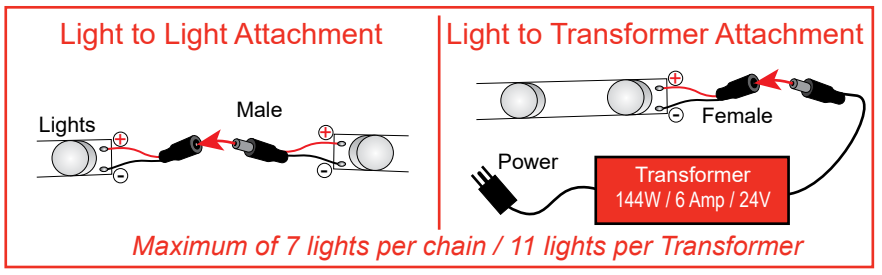
Refer to the CEI110 Frame Assembly general information page.

- 1) Assemble horizontals [1-2-3], [1A-2A-3A] & verticals [4-5], [4A-5A] using tool-less spline connectors.
- 2) Connect vertical assemblies [1/2/3], [1A/2A/3A] between horizontals [4/5], [4A/5A] using tool-less corner connectors.
- 3) Attach verticals [6-6A] between horizontal assemblies [1/2/3], [1A/2A/3A]. See **Z45 Attachment** detail.
- 4) Connect Base Plates [7] to assembled frame. See **Base Plate Attachment** detail.

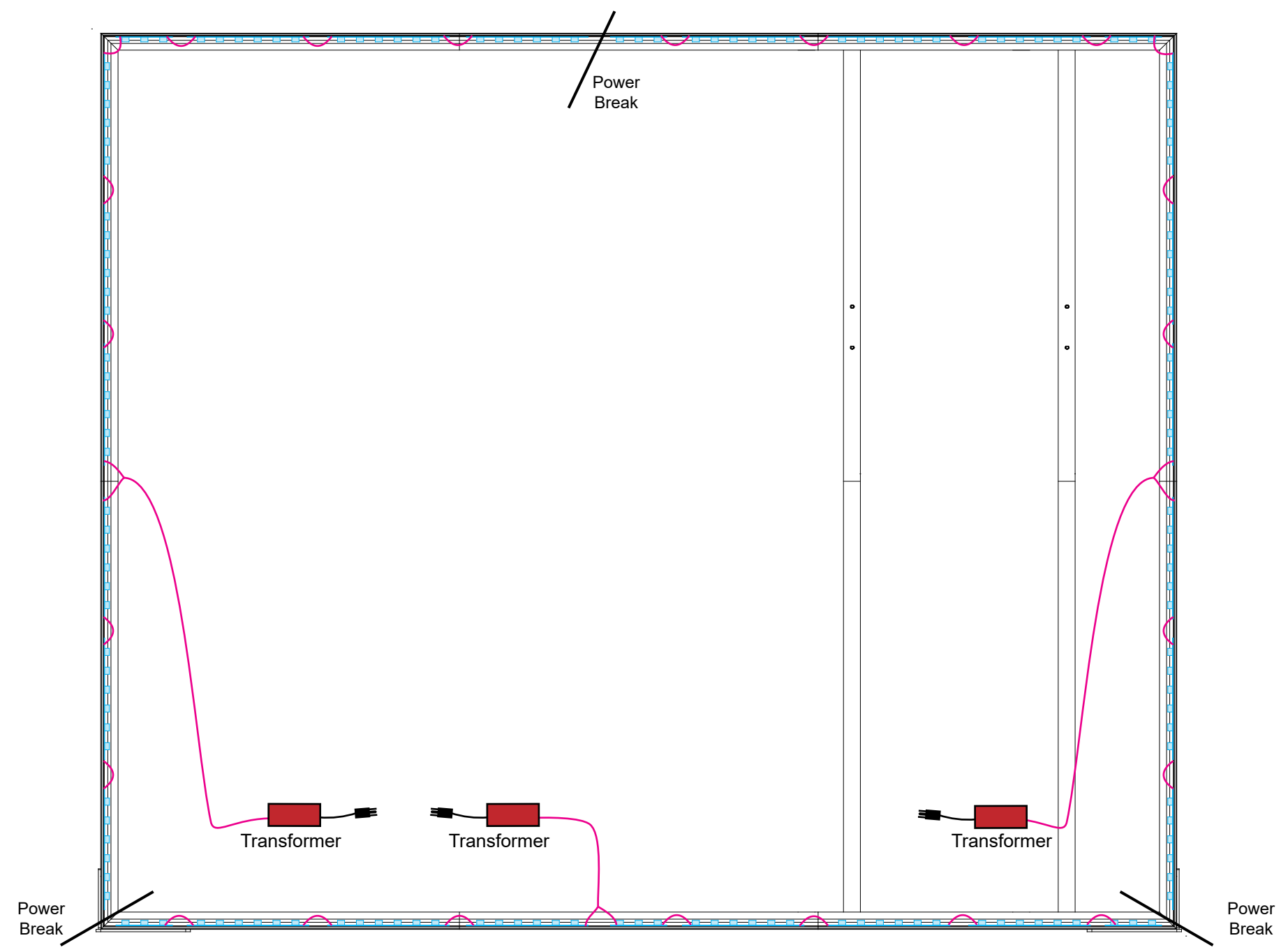


When assembled





Steps:
1) Connect power cords to Supernova lights, as shown.

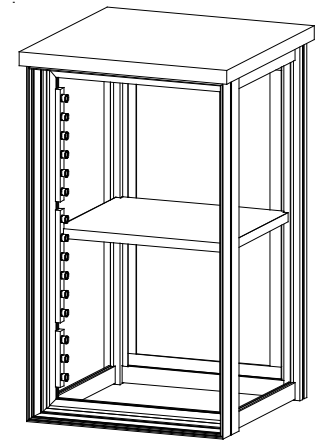


ELEVATION VIEW

Steps:

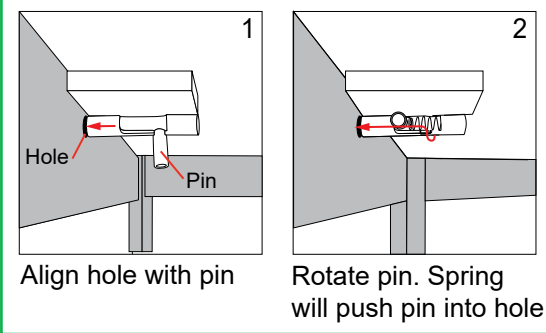
- 1) Attach horizontals [1] and [1A] between verticals [2] and [2A], with infill placed into inside grooves. See CEI110 Corner Connection instruction on reverse side.
- 2) Attach horizontal [5] between verticals [2A] and [4], sliding infill into grooves of verticals, then secure with horizontal [5A]. Make sure Velcro is facing inward and at bottom.
- 3) Attach horizontal [6] between verticals [2] and [3], sliding infill into grooves of verticals, then secure with horizontal [6A]. Make sure Velcro is facing inward and at bottom.
- 4) Attach horizontals [7] and [7A] between verticals [3] and [4].
- 5) Connect door to vertical [3]. See Door Connection detail.
- 6) Connect shelf supports to Velcro on inside of infills, then place shelf on top of supports.
- 7) Connect lights and transformer. See Light Connection details.
- 8) Install SEG graphic to front of assembled light frame.
- See SEG Graphic Installation instruction on reverse side.
- 9) Lock counter top to [5A] and [6A]. See Counter Top Lock detail.

Item	Qty.	Description
1,1A	1,1	22.1654" CEI110 Horizontal Extrusion
2,2A	1,1	38" CEI110 Vertical Extrusion w/ S10
3	1	38" S44 Vertical Extrusion w/ Door Hinges
4	1	38" S44 Vertical Extrusion w/ Door Stop
5,5A	1,1	16" Z45 Horizontal Extrusion
6,6A	1,1	16" Z45 Horizontal Extrusion
7,7A	1,1	18.5" Z45 Horizontal Extrusion

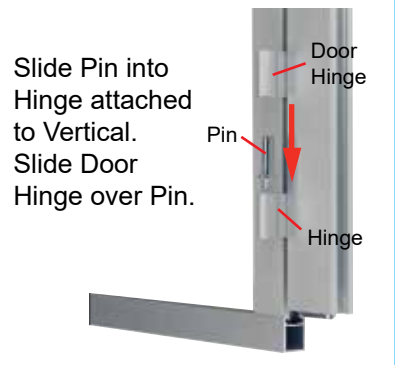


Completed Assembly
(infills not shown)

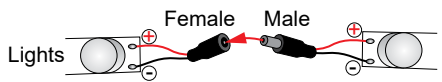
*** Counter Top Lock**



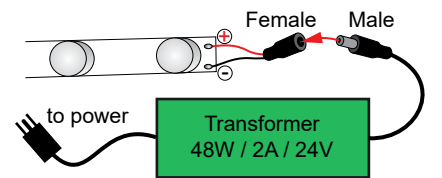
*** Door Connection**



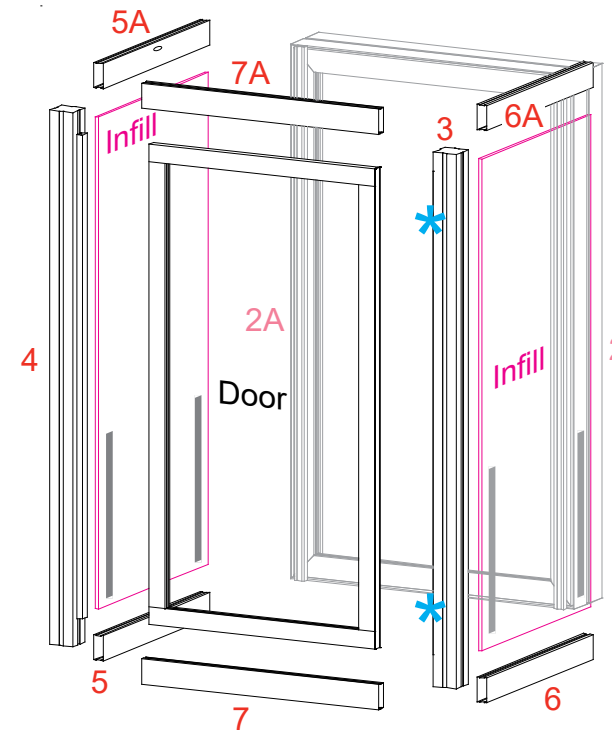
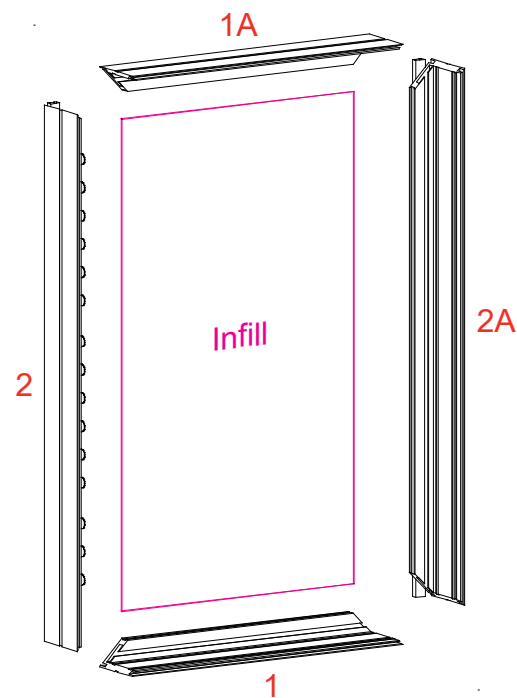
Light to Light Connection



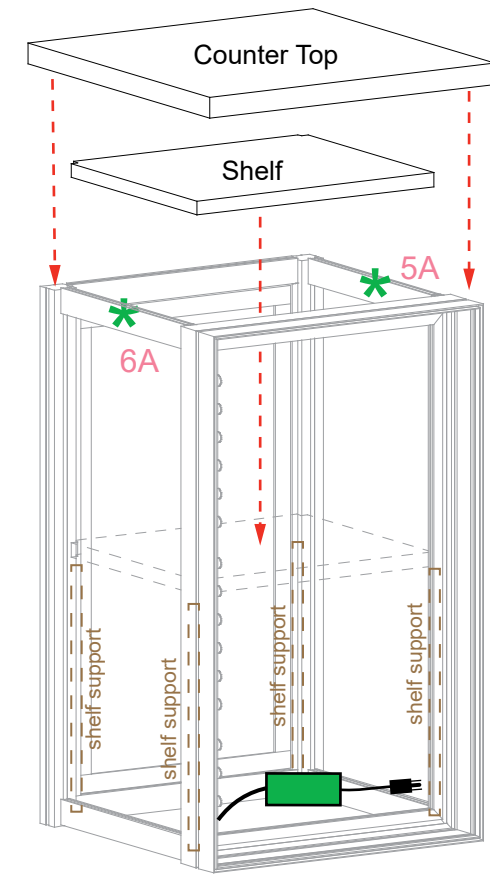
Light to Transformer Connection



Maximum of 3 lights per transformer.



BACK VIEW



FRONT VIEW
(Infills Not Shown)