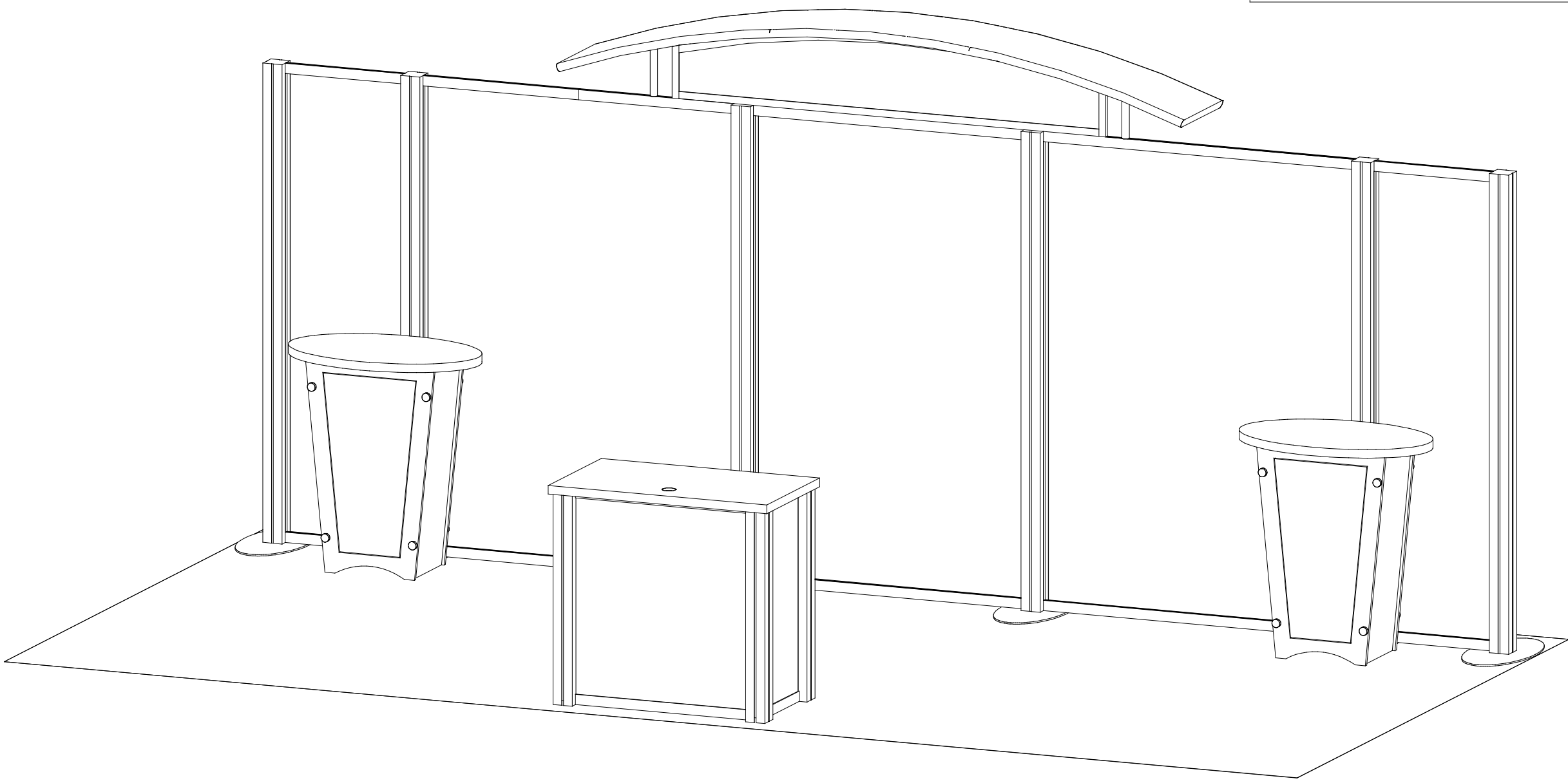


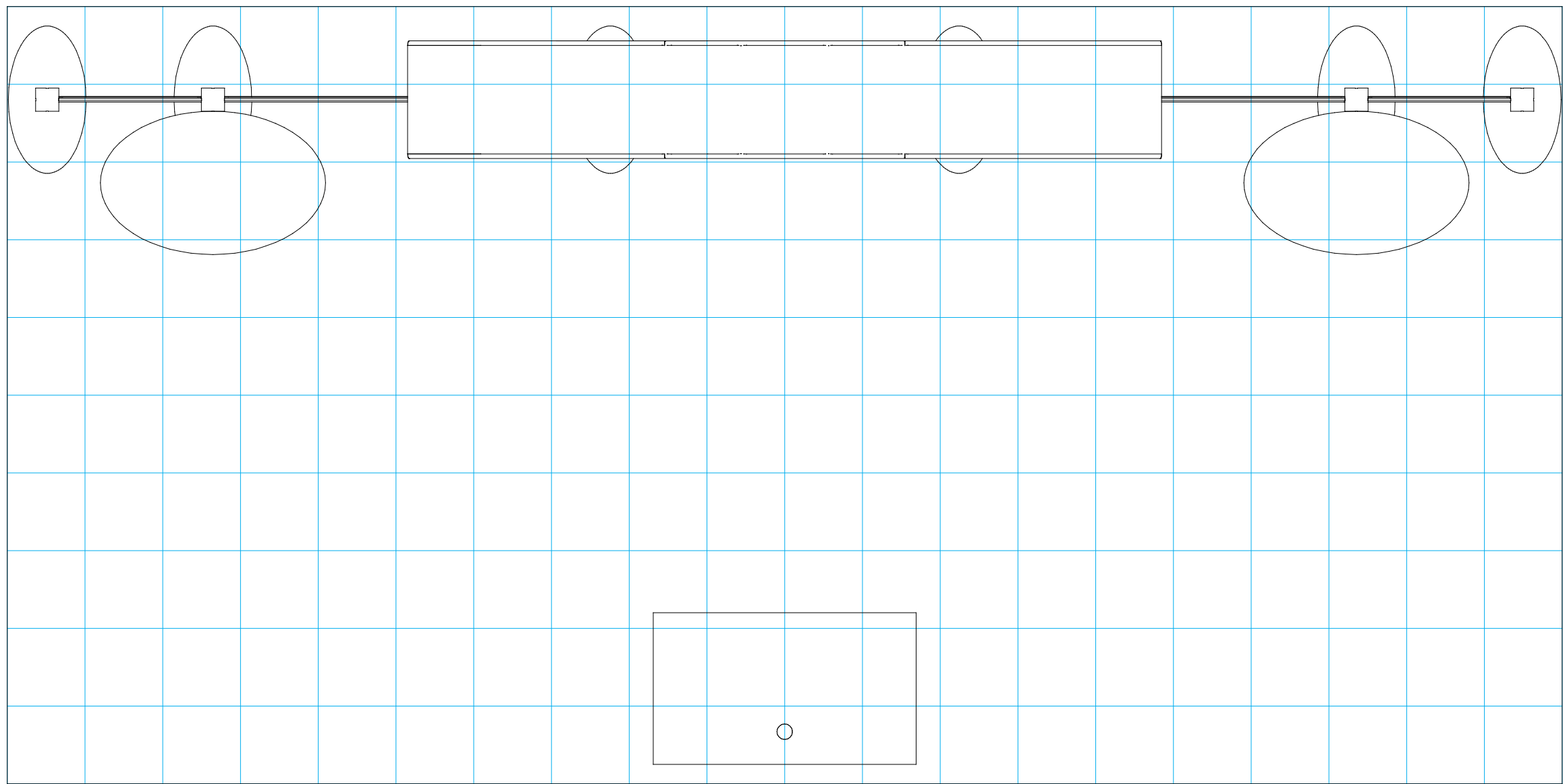
10'


20'

Plan View



# ***SETUP INSTRUCTIONS***



 = 1 sq foot

## General Setup Instructions

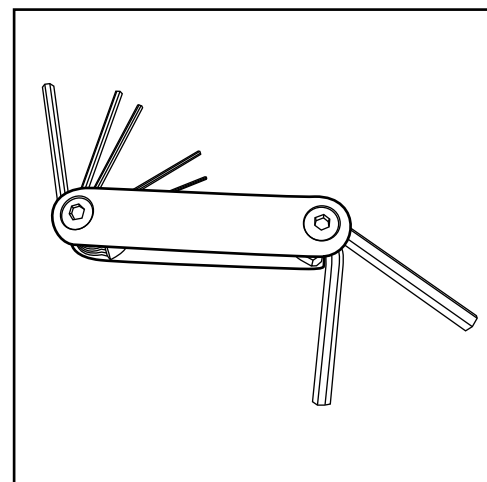
- Read entire setup instruction manual prior to unpacking parts and pieces.
- The setup instructions are created specifically for this configuration.
- Setup instructions are laid out sequentially in steps, including exploded views with detailed explanation for assembly.

## Cleaning & Packing

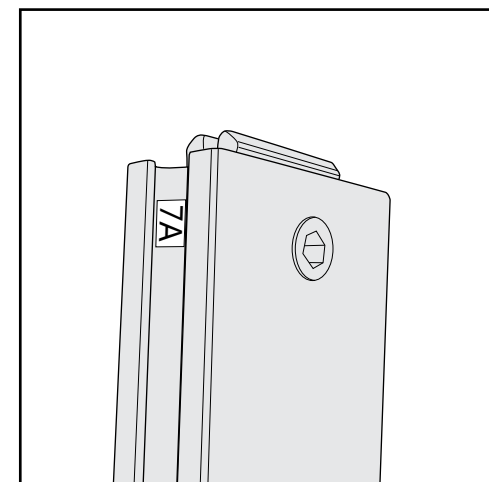
- For Cleaning Metal, Plex, & Laminate Parts: Use a **MILD NON-ABRASIVE** cleanser and soft cloth/paper towel to clean all surfaces.
- Keep exhibit components away from heat and prolonged sun exposure.  
**Heat and UV exposure will warp and fade components.**
- Retain all provided Packing Materials. All provided packing materials are for ease of repacking & component protection.

## Disassembly

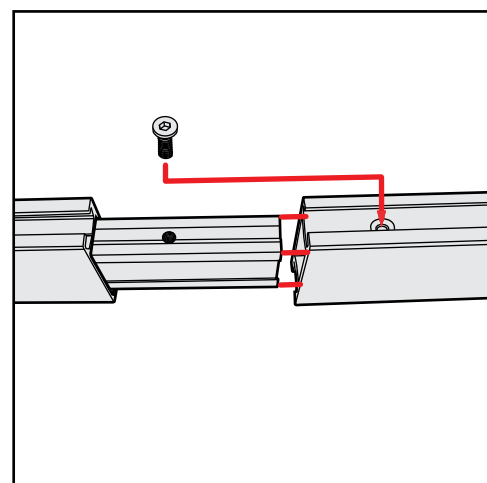
- For loss prevention, tighten all set screws and locks during disassembly.



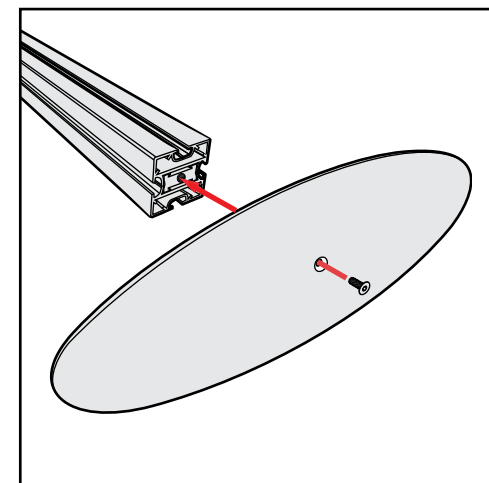
Hex Tool - Essential for Assembly



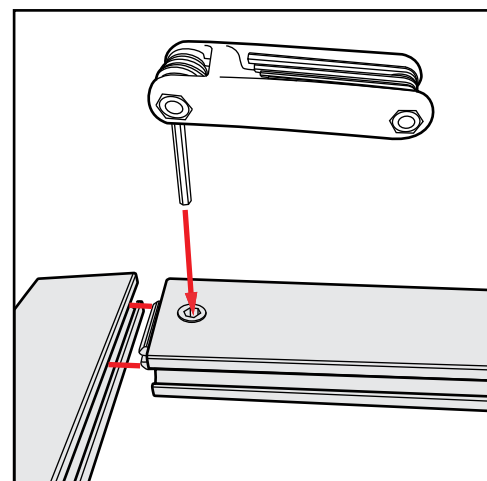
Part Identification - Numbering



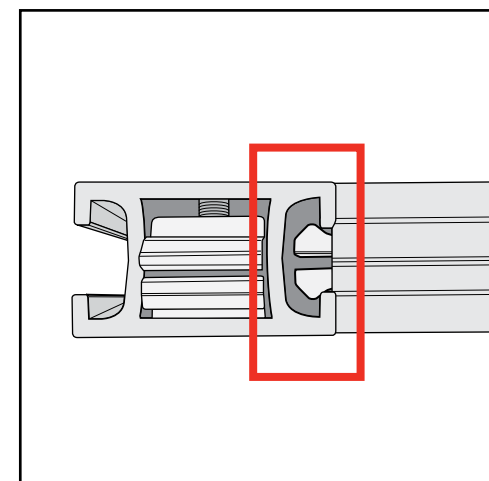
Spline Connection



Base Plate & Extrusion Connection



Extrusion & Lock Connection



Engaged Lock



**WARNING**



DO NOT USE POWER TOOLS



LADDERS OR LIFTS  
MAY BE REQUIRED

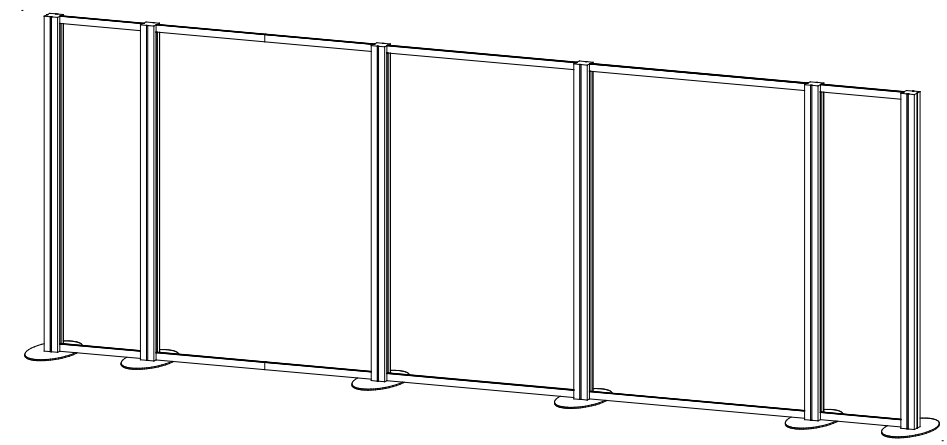


ALL CONNECTIONS MUST  
BE TIGHTLY SECURED

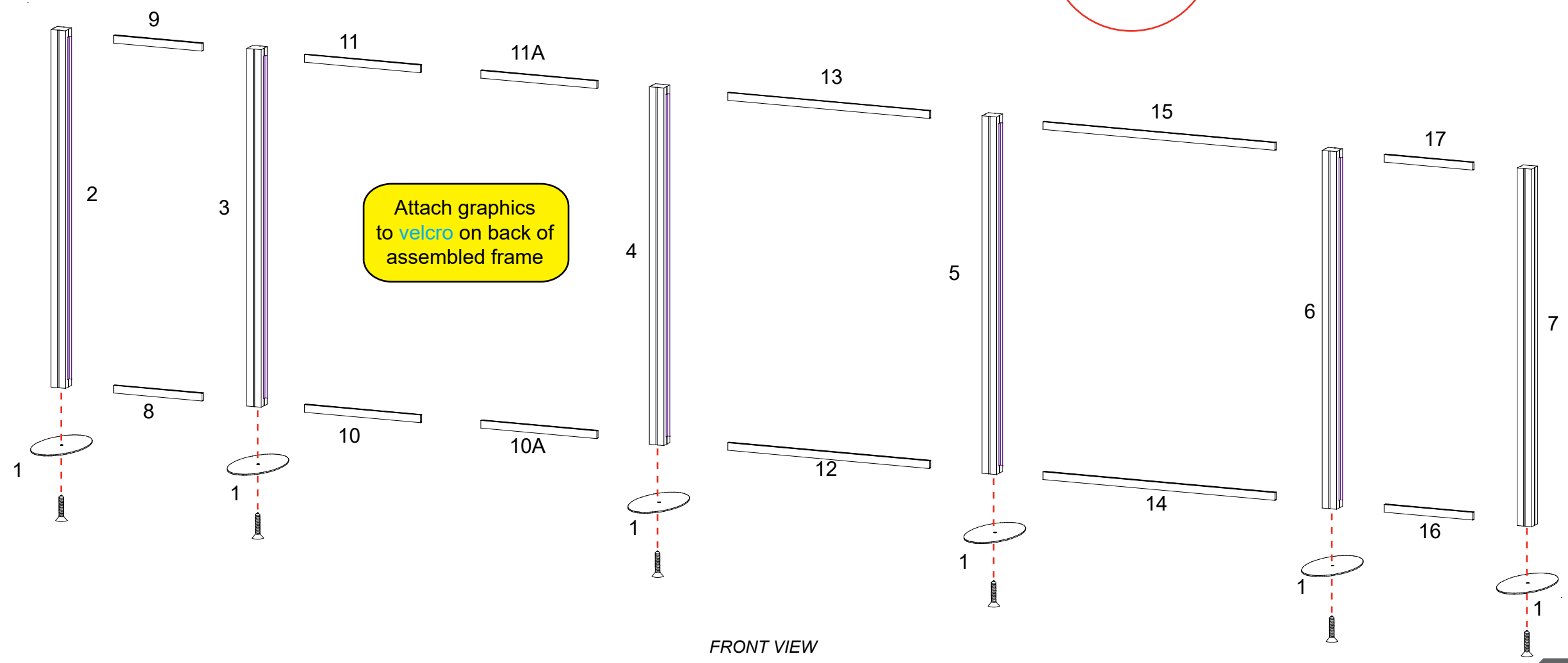
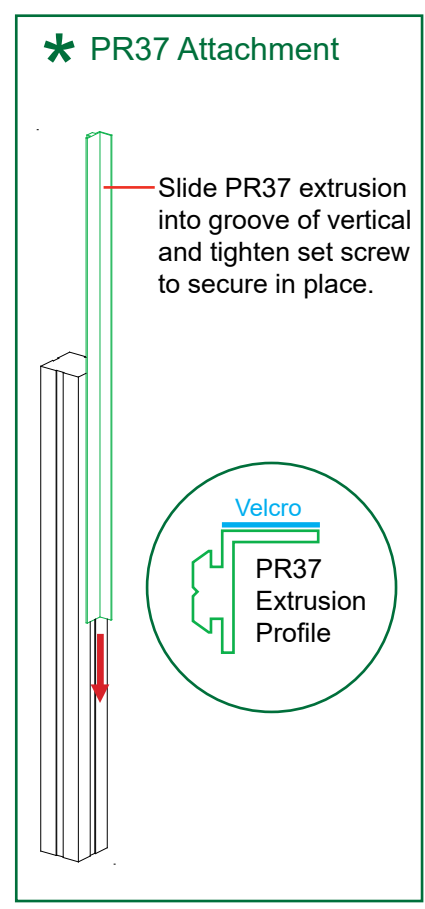
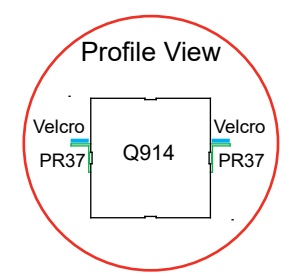
CRATE PACKING

Item	Qty.	Description
1	6	SF-1 12" x 22.75" oval Base Plate
2	1	84"h Q914 Vertical Extrusion w/ PR37 & Velcro
3	1	84"h Q914 Vertical Extrusion w/ PR37 & Velcro
4	1	84"h Q914 Vertical Extrusion w/ PR37 & Velcro
5	1	84"h Q914 Vertical Extrusion w/ PR37 & Velcro
6	1	84"h Q914 Vertical Extrusion w/ PR37 & Velcro
7	1	84"h Q914 Vertical Extrusion w/ PR37 & Velcro
8	1	22"w Z45 Horizontal Extrusion w/ Velcro
9	1	22"w Z45 Horizontal Extrusion w/ Velcro
10/10A	1/1	28.875"w Z45 Horizontal Extrusion w/ Velcro
11/11A	1/1	28.875"w Z45 Horizontal Extrusion w/ Velcro
12	1	50.25"w Z45 Horizontal Extrusion w/ Velcro
13	1	50.25"w Z45 Horizontal Extrusion w/ Velcro
14	1	57.75"w Z45 Horizontal Extrusion w/ Velcro
15	1	57.75"w Z45 Horizontal Extrusion w/ Velcro
16	1	22"w Z45 Horizontal Extrusion w/ Velcro
17	1	22"w Z45 Horizontal Extrusion w/ Velcro

- Steps:
- 1) Attach Base Plates [1] to bottom of verticals [2,3,4,5,6,7] using bolts.
  - 2) Assemble horizontals [10-10A], [11-11A] together.
  - 3) Connect horizontals [8,9,10/10A,11/11A,12,13,14,15,16,17] between verticals [2,3,4,5,6,7]. Velcro must face back of booth.
  - 4) Apply Fabric Graphics to back side of frame assembly, using Velcro.



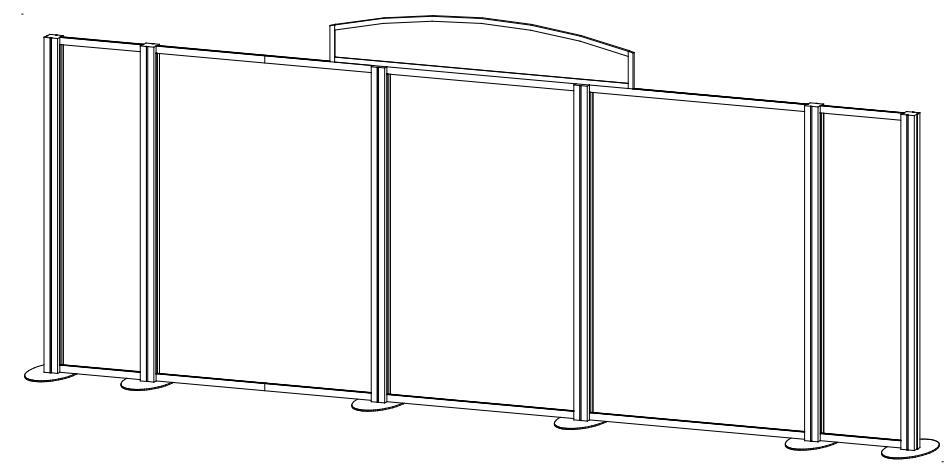
When assembled



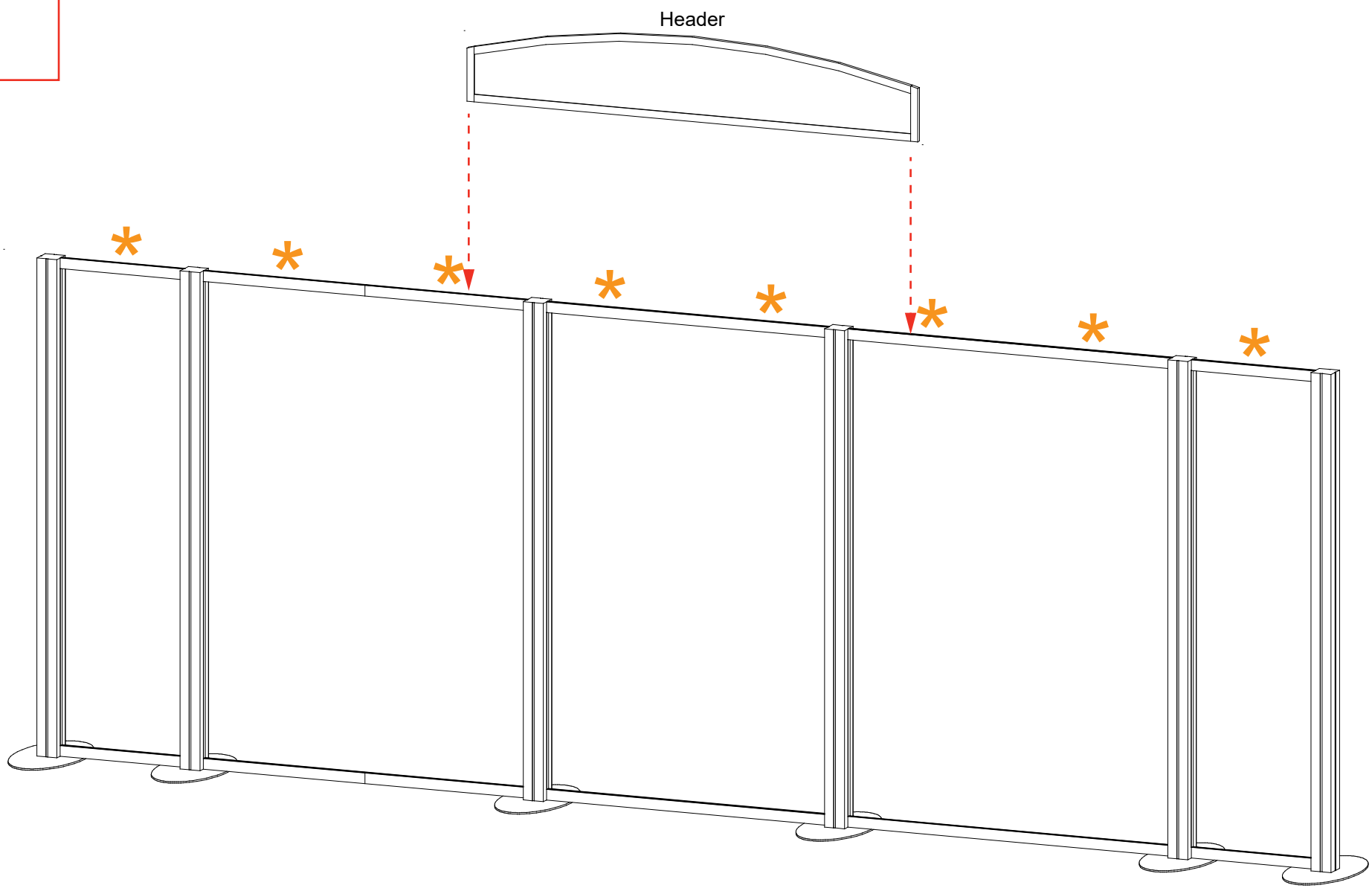
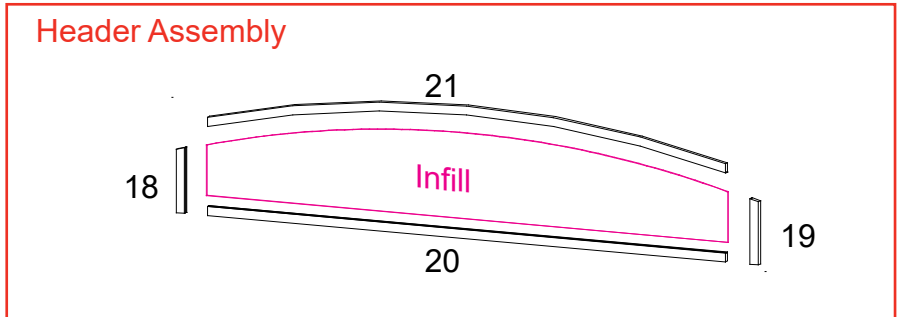
FRONT VIEW

Item	Qty.	Description
18,19	1,1	10.63”h Z31 Vertical Extrusion
20	1	77.98”w Z31 Horizontal Extrusion
21	1	80.5” Z31 curved Horizontal Extrusion

- Steps:
- 1) Assemble Header by connecting horizontals [20,21] between verticals [18,19], inserting **infill** as shown.
  - 2) Install Header assembly to top of backwall horizontal.
  - 3) Connect Lights to top of backwall where desired.  
See **Light Attachment** detail.



When assembled



**\* Light Attachment**

Lock Clip into Groove of Horizontal Extrusion, then slide Light onto Clip.

Lock into groove of horizontal

Slide light into light receiving hardware

# AERO

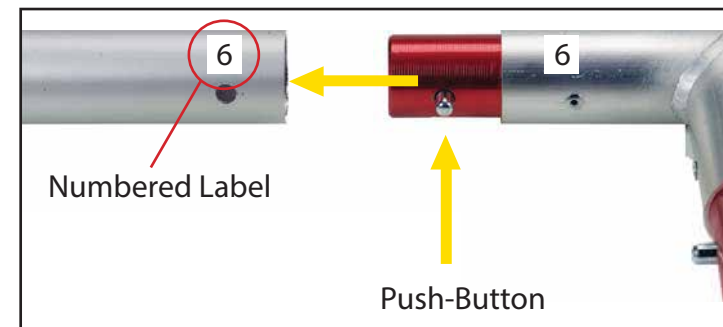
## Using Your Setup Instructions

The Aero Setup Instructions are created specifically for your configuration. The instructions include an exploded view of the frame which is sequentially labeled. We encourage you to review the instructions before attempting to assemble your exhibit.

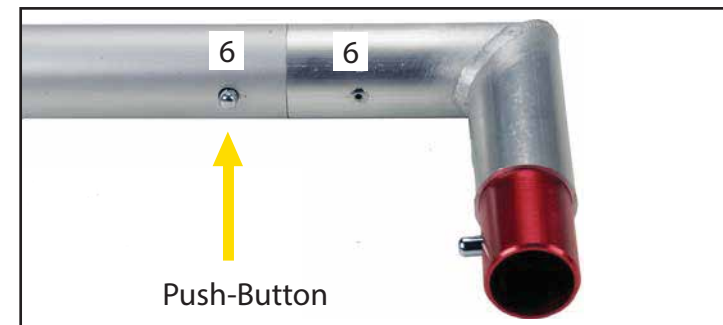
Connections are kept very simple; no tools required. Everything assembles with push-button connectors.

## Cleaning and Packing Your Display

- 1) Use care when cleaning aluminum extrusion or acrylic inserts. Use only non-abrasive cleaners.
- 2) Retain all packing material. It will make re-packing much easier and will reduce the likelihood of shipping damage.

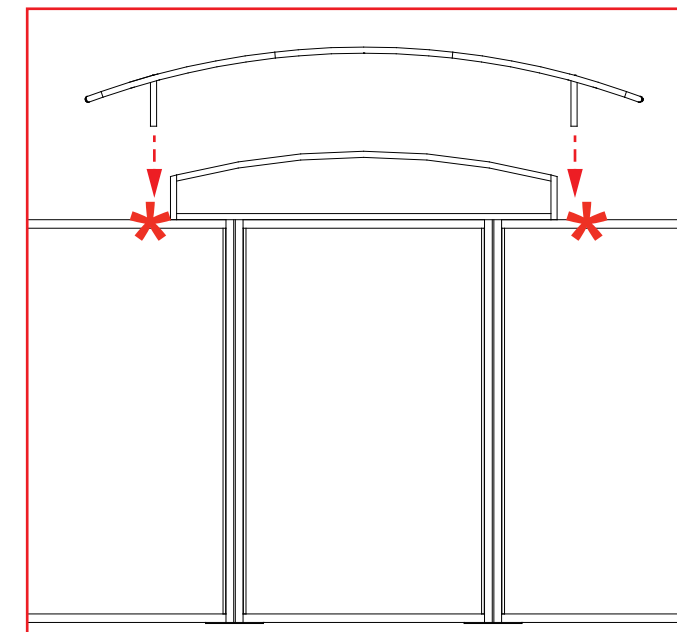
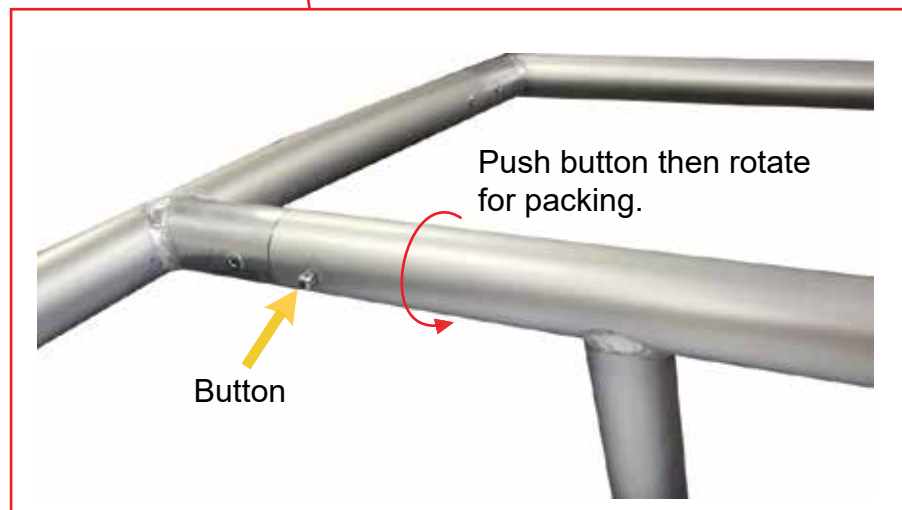
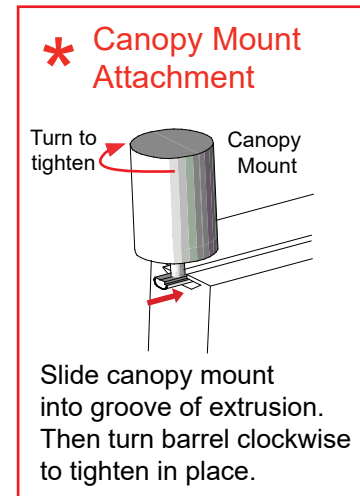
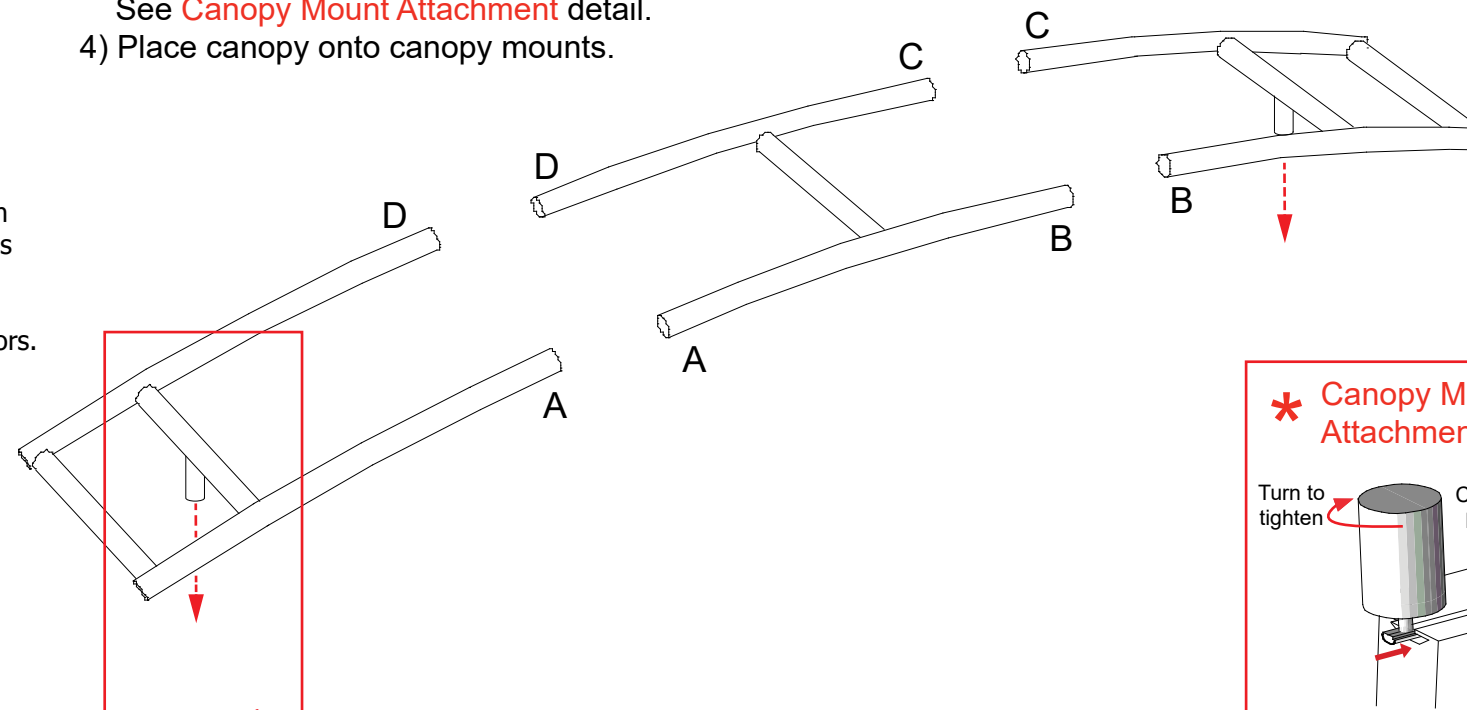


Connections are made by holding the button down and sliding the red tube into opposing tube until button locks into the hole of the opposing tube. To disassemble, push button and pull or twist extrusions apart.



Steps:

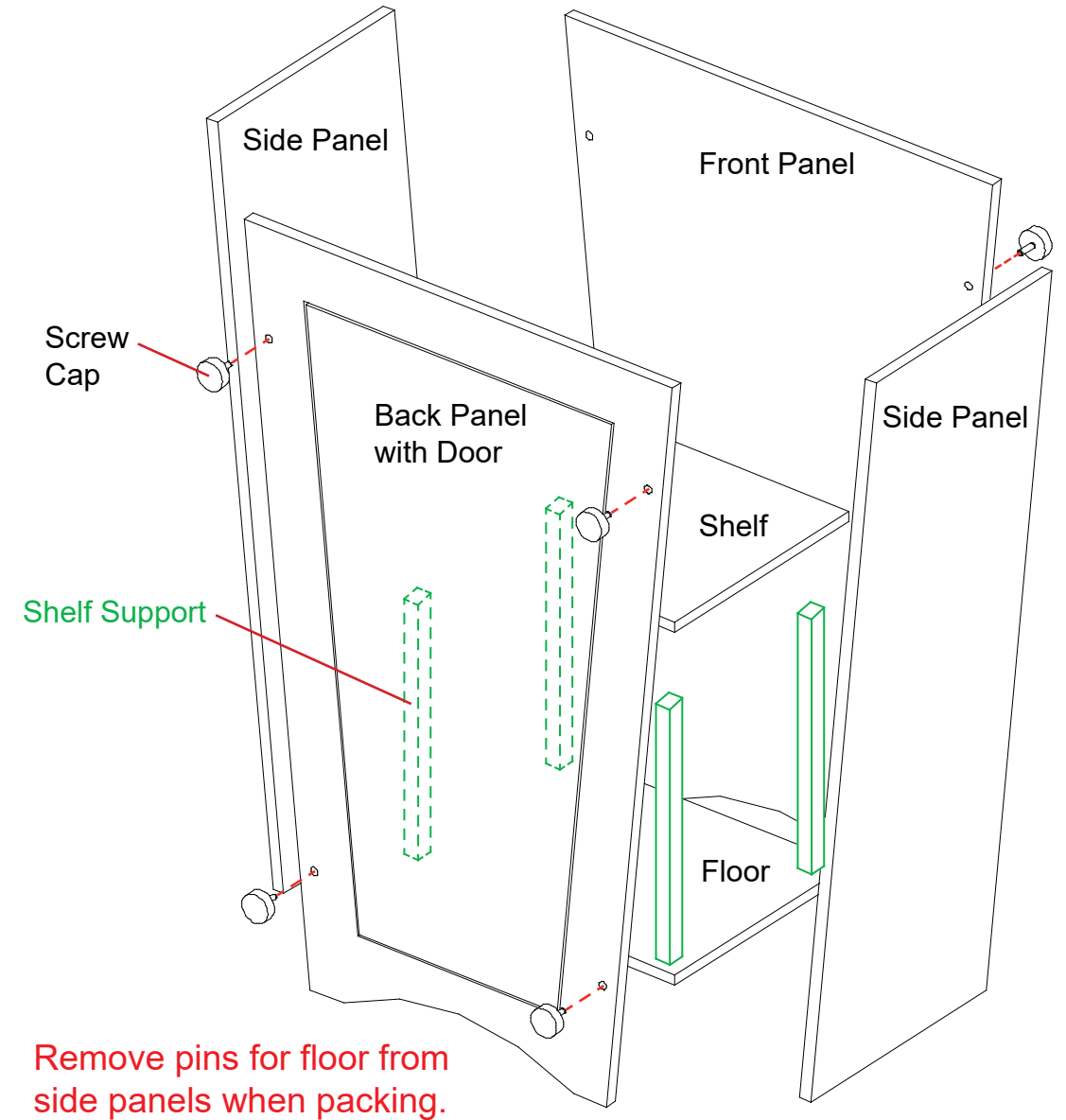
- 1) Connect canopy pieces together as shown.
- 2) Apply pillowcase graphic to assembled canopy.
- 3) Attach Canopy Mounts to backwall.  
See **Canopy Mount Attachment** detail.
- 4) Place canopy onto canopy mounts.



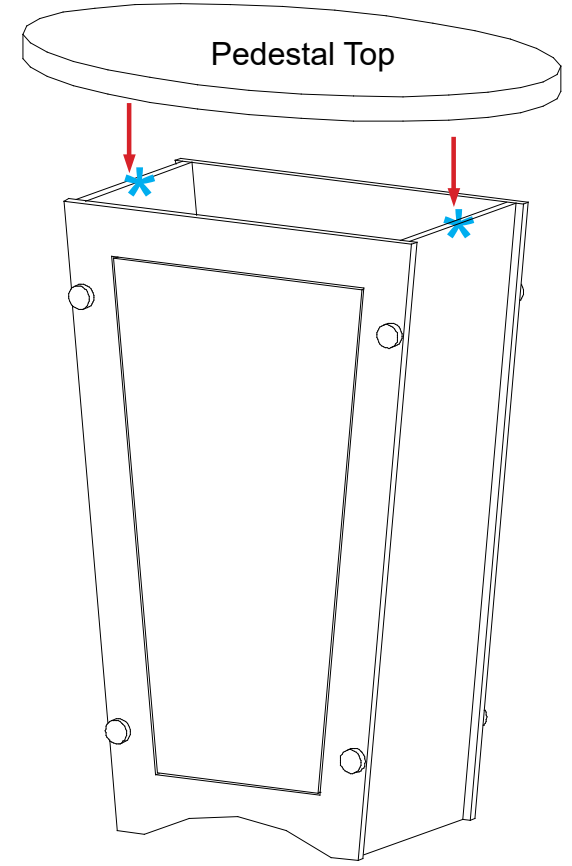
**Setup Instructions:**

- 1) Attach pins at bottom interior of side panels. *Note: Pins are designed to be slightly angled.*
- 2) Use screw caps to secure the side panels to front panel and back panels, making sure Velcro is facing inward.
- 3) Slide floor into the bottom of assembled pedestal base. The floor will sit on pins of the side panels.
- 4) Connect shelf supports to Velcro on panels, then place shelf on top of supports.
- 5) Attach pedestal top to assembled pedestal base. See [Pedestal Top Attachment](#) detail.

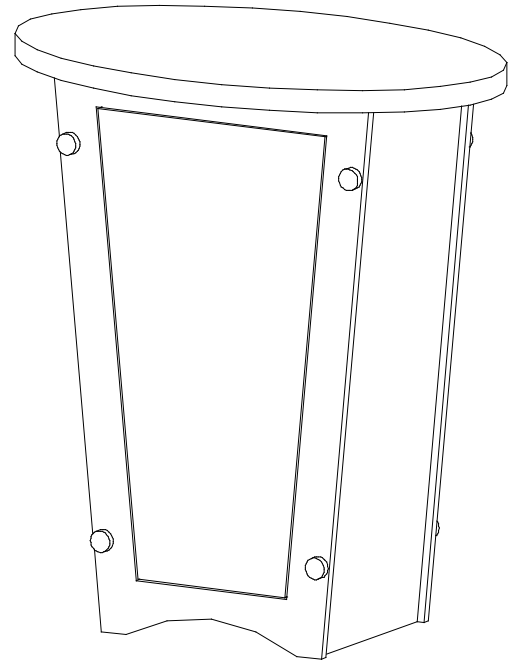
Repeat steps for other counter assembly.



**Pedestal Base Assembly**

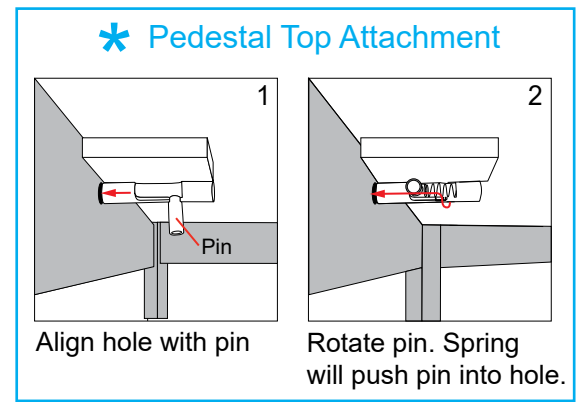


**Pedestal Top Attachment**



**Completed Pedestal Assembly**

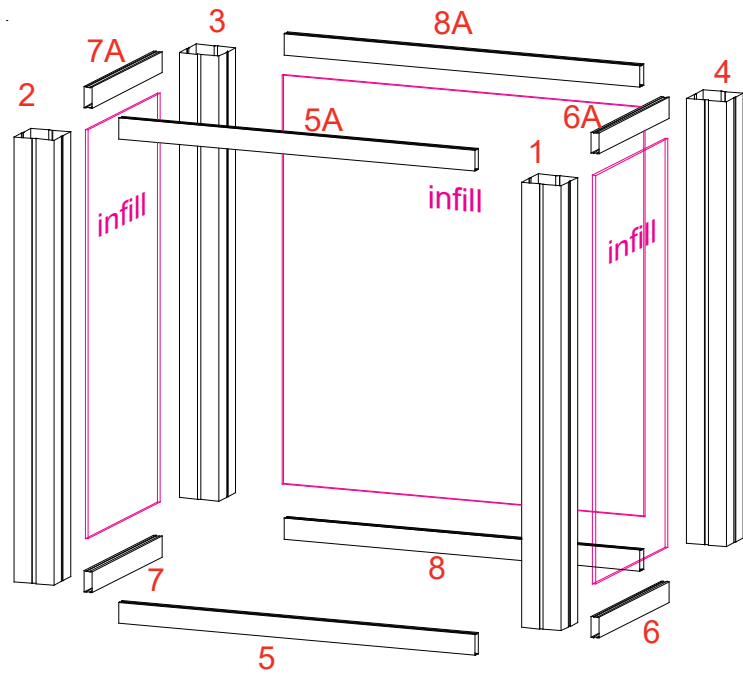
Qty. 2



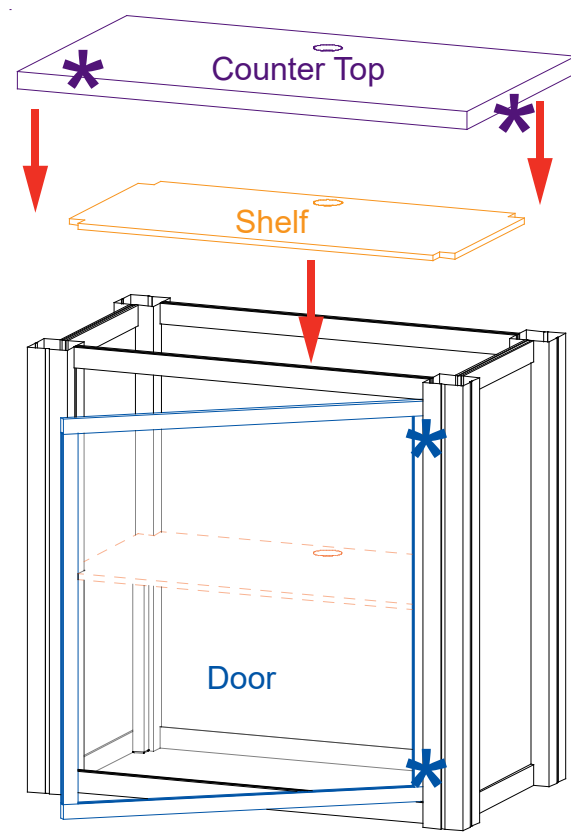
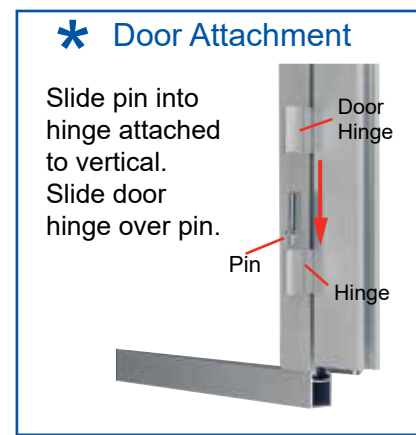
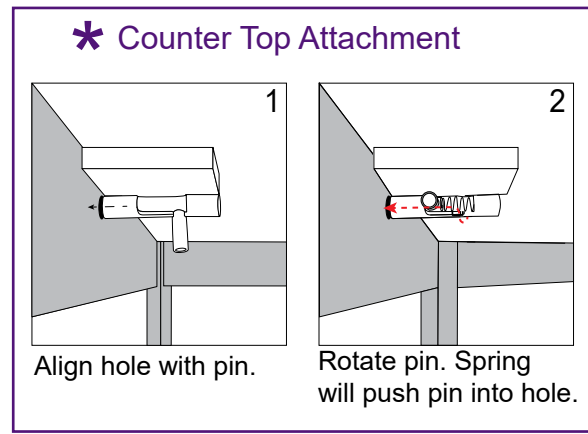


Item	Qty.	Description
1	1	48" h Q914 Vertical Extrusion
2	1	48" h Q914 Vertical Extrusion
3	1	48" h Q914 Vertical Extrusion
4	1	48" h Q914 Vertical Extrusion
5/5A	1/1	32.155" w Z45 Horizontal Extrusion
6/6A	1/1	15" w Z45 Horizontal Extrusion
7/7A	1/1	15" w Z45 Horizontal Extrusion
8/8A	1/1	32.155" w Z45 Horizontal Extrusion

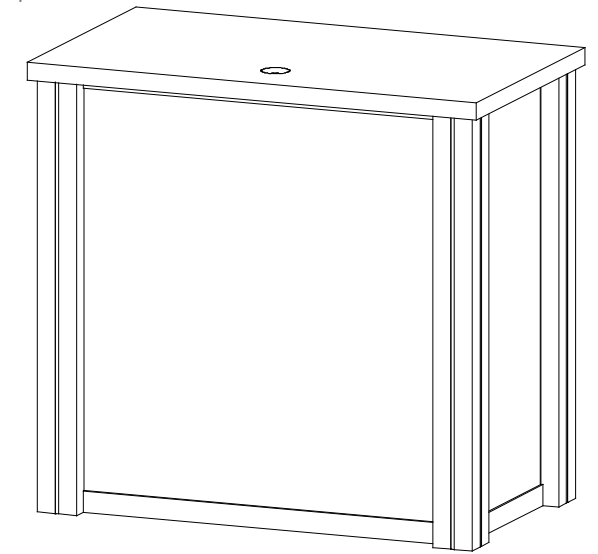
- Steps:
- 1) Connect lower horizontals [5,6,7,8] between verticals [1,2,3,4].
  - 2) Slide infills between verticals as shown; secure with upper horizontals [5A,6A,7A,8A].
  - 3) Attach Door between verticals [1,2]. See [Door Attachment](#) detail.
  - 4) Affix shelf supports to inside of assembly; place internal Shelf.
  - 5) Attach Counter Top to top of assembly. See [Counter Top Attachment](#) detail.



Back View

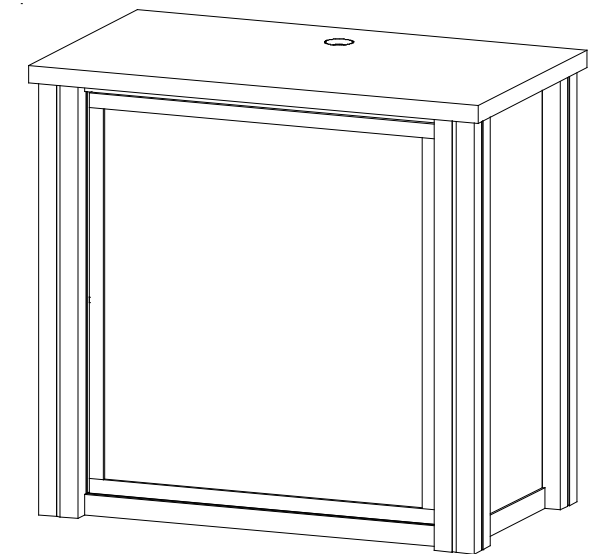


Back View



Front View

When assembled



Back View