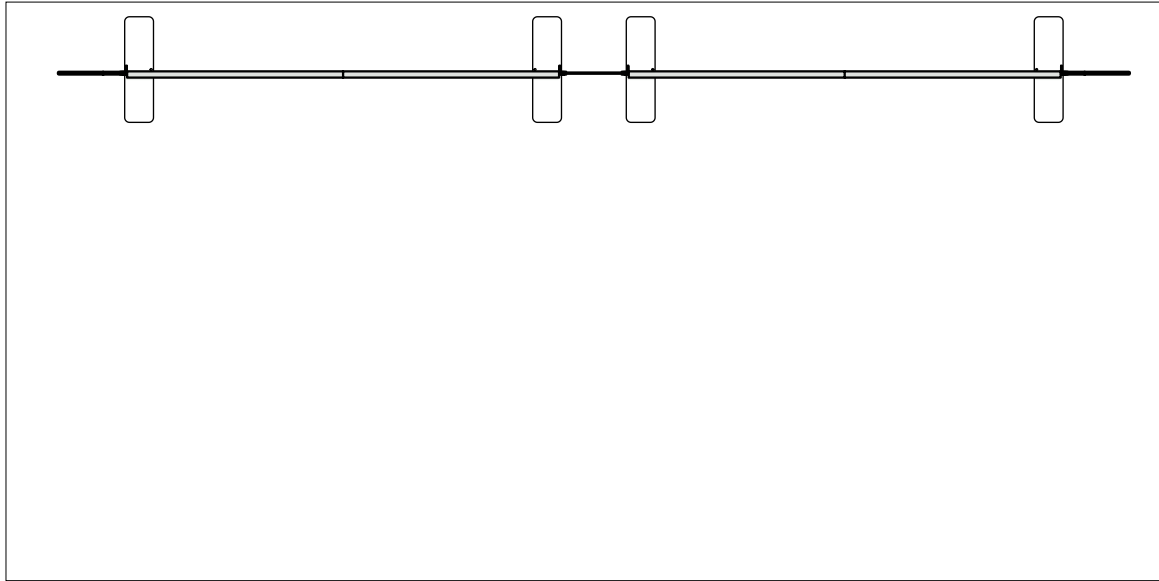
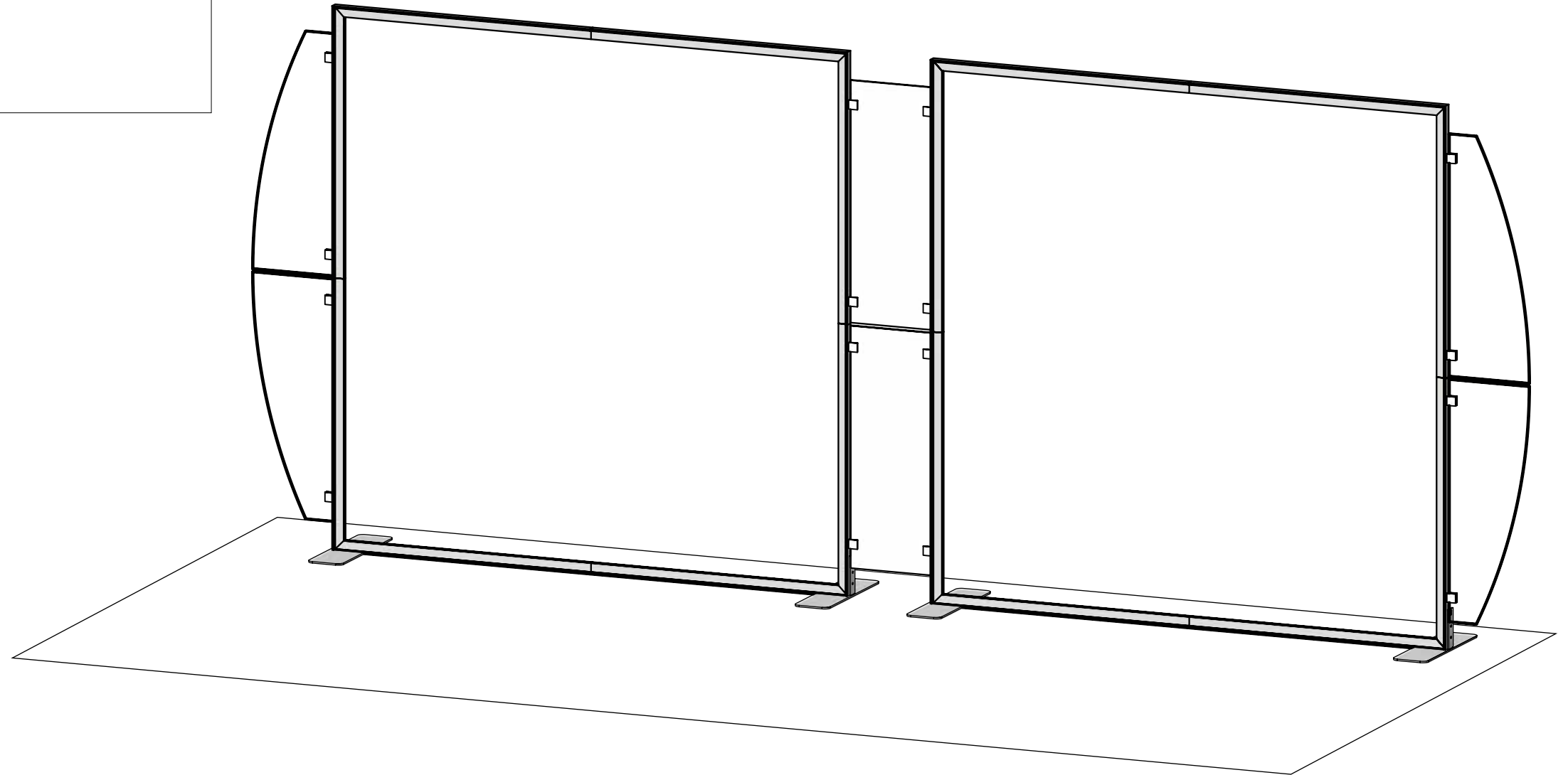


20'



Plan View

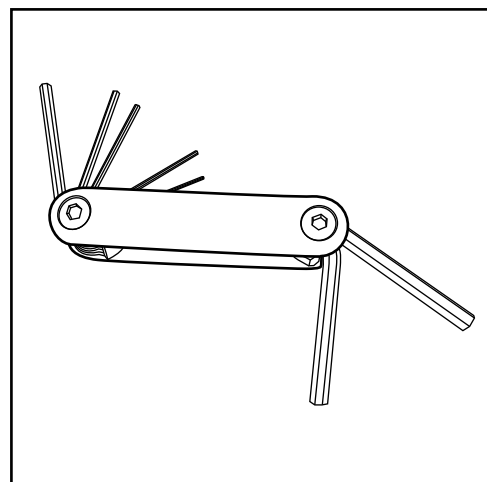
10'



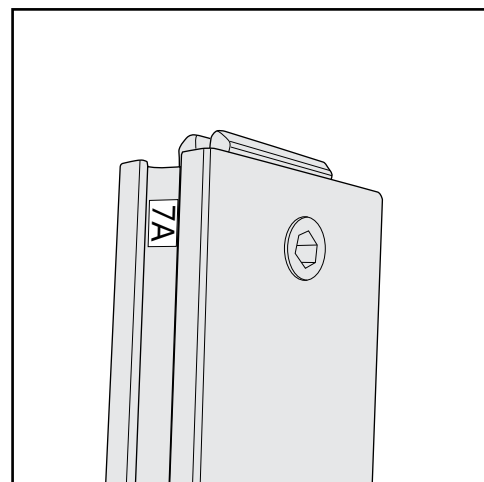
SETUP INSTRUCTIONS

General Setup Instructions

- Read entire setup instruction manual prior to unpacking parts and pieces.
- The setup instructions are created specifically for this configuration.
- Setup instructions are laid out sequentially in steps, including exploded views with detailed explanation for assembly.



Hex Tool - Essential for Assembly



Part Identification - Numbering



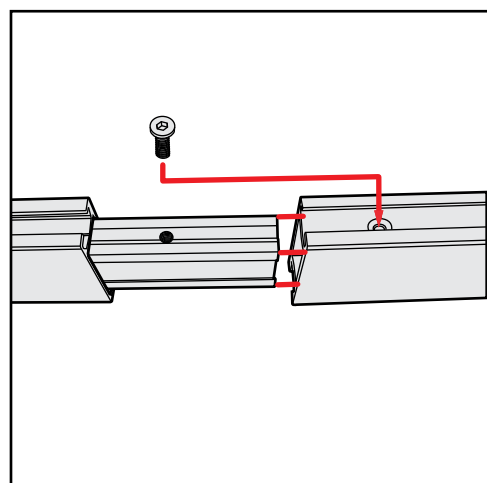
WARNING

Cleaning & Packing

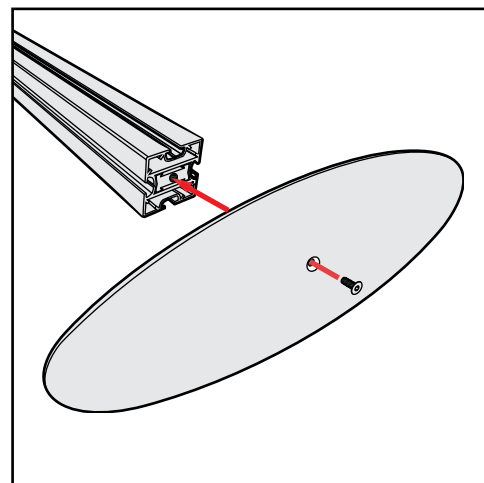
- For Cleaning Metal, Plex, & Laminate Parts: Use a **MILD NON-ABRASIVE** cleanser and soft cloth/paper towel to clean all surfaces.
- Keep exhibit components away from heat and prolonged sun exposure. **Heat and UV exposure will warp and fade components.**
- Retain all provided Packing Materials. All provided packing materials are for ease of repacking & component protection.

Disassembly

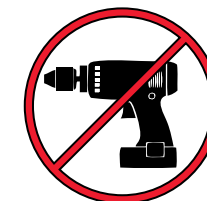
- For loss prevention, tighten all set screws and locks during disassembly.



Spline Connection



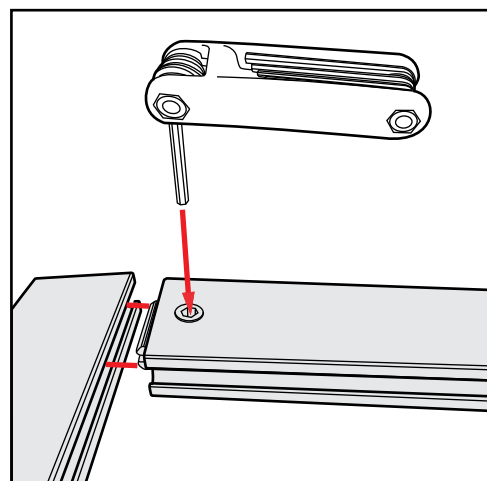
Base Plate & Extrusion Connection



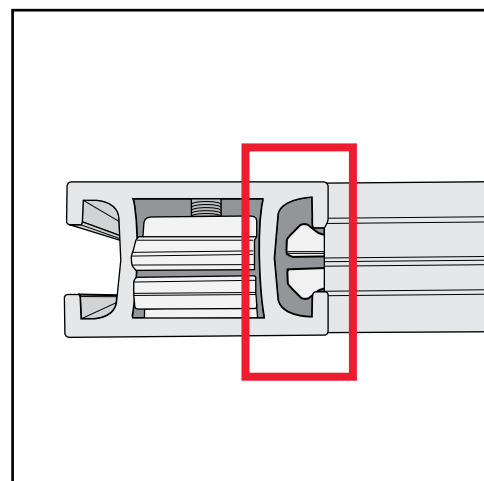
DO NOT USE POWER TOOLS



LADDERS OR LIFTS
MAY BE REQUIRED



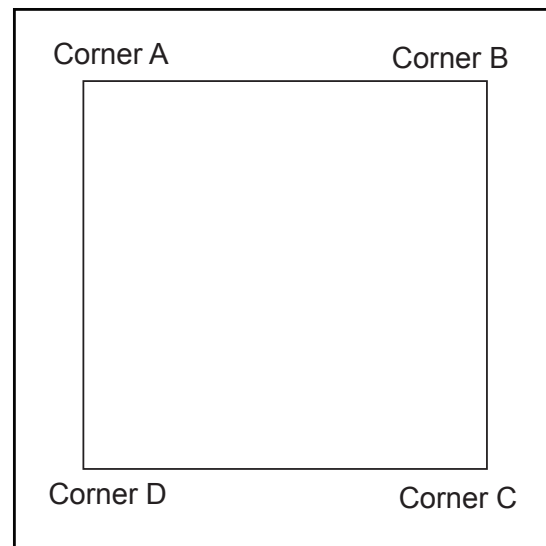
Extrusion & Lock Connection



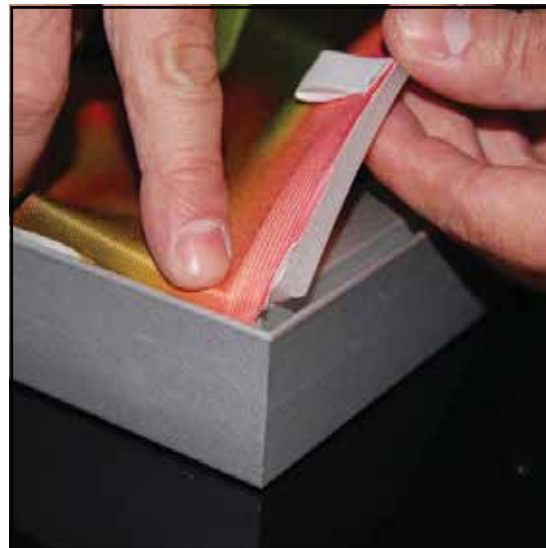
Engaged Lock



ALL CONNECTIONS MUST
BE TIGHTLY SECURED



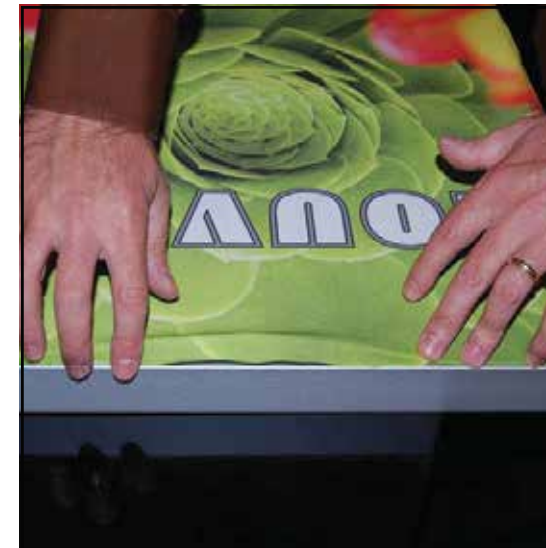
It is important to first insert graphic into each alternate corner then to the sides of the frame. If this is not done, graphic will not fit into the frame correctly.



Step 1
Insert corner A. Turn edge of graphic so silicon welt is perpendicular to face of graphic. Insert narrow side of welt with fabric to outside into the channel. Repeat for other side of this corner.

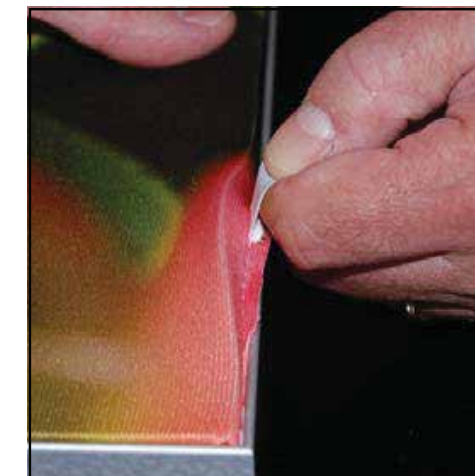


Step 2
Repeat Step 1 for opposite corner C, then insert corner D, to complete the installation of the corners.



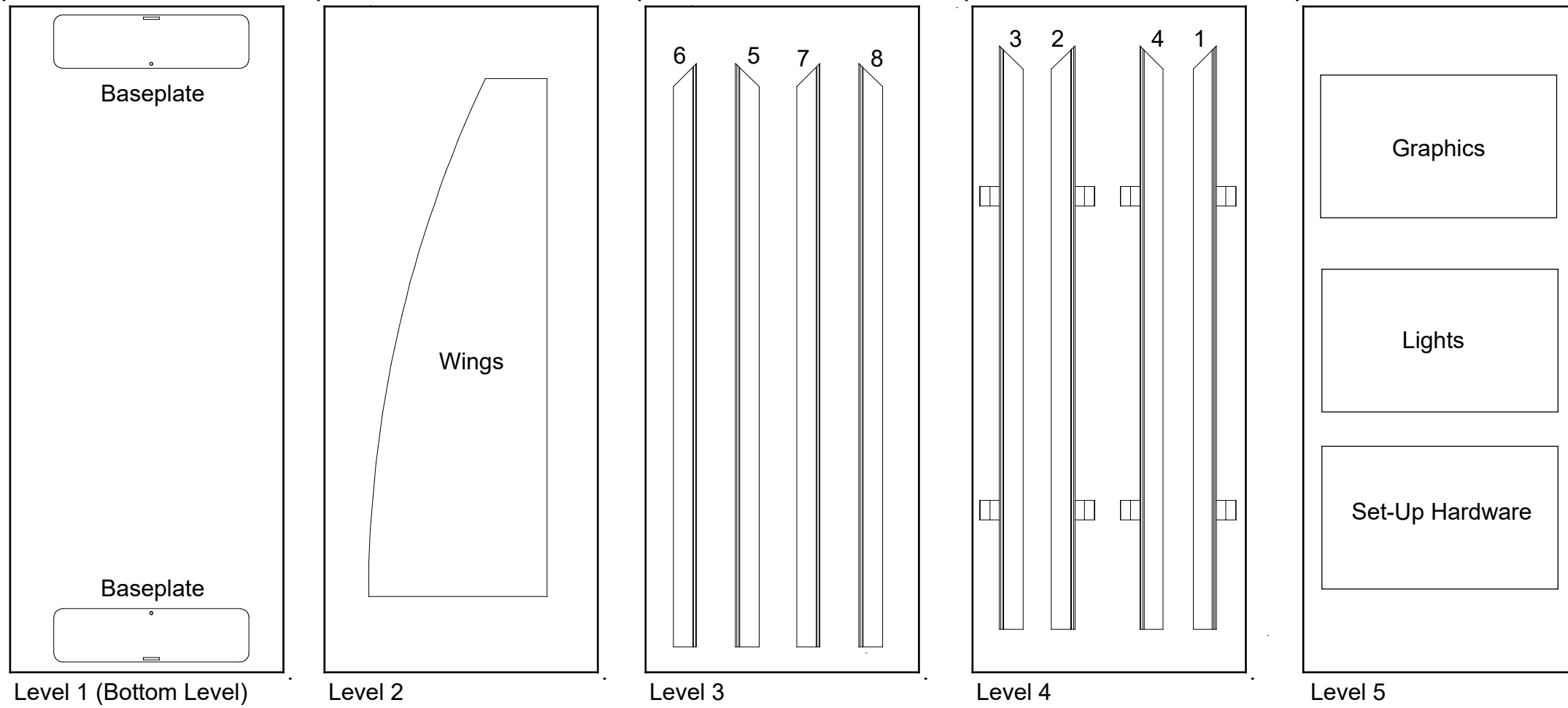
Step 3
Once all corners are inserted, press one silicon edge into channel from corners and work toward the center. Make sure welt is fully inserted into channel. Continue until all sides are done. Smooth out edges of graphic.

Graphic Removal

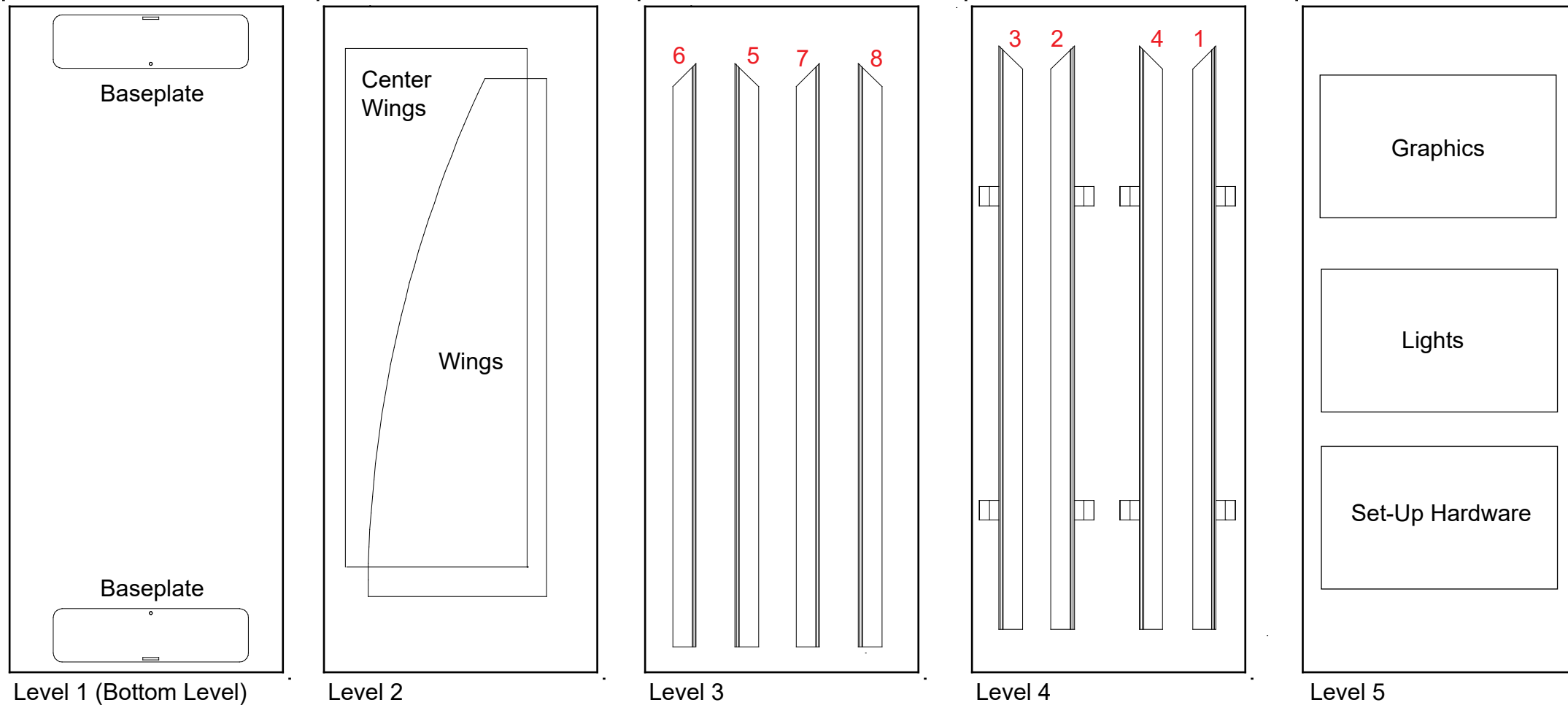


To remove the graphic from the frame, locate the fabric pull tab. Gently pull up on the tab to remove the fabric.

Top View of Each Level



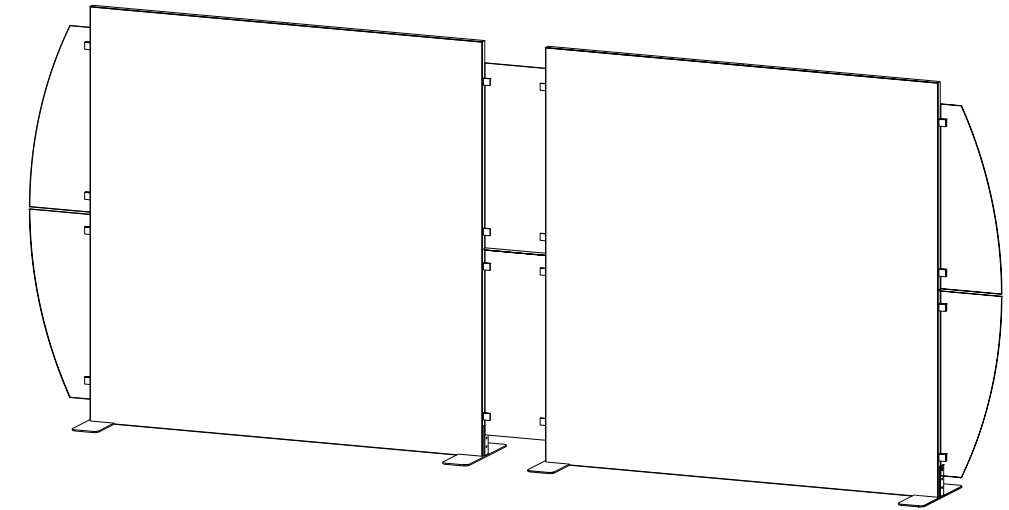
Top View of Each Level



Item	Qty	Description
1	1	45" Vertical Extrusion
2	1	45" Vertical Extrusion
3	1	45" Vertical Extrusion
4	1	45" Vertical Extrusion
5	1	45" Horizontal Extrusion
6	1	45" Horizontal Extrusion
7	1	45" Horizontal Extrusion
8	1	45" Horizontal Extrusion
-	2	Baseplate with Vertical Stem

Setups:

- 1) Flat on the floor, assemble extrusions [1-2], [3-4], [5-6], [7-8] & [1-2], [3-4], [5-6], [7-8] together using straight **Spline Connectors**.
- 2) Still flat on the floor, connect vertical assemblies [1/2], [3/4] between horizontal assemblies [5/6], [7/8] using **Corner Connectors**. Repeat step, attaching [1/2], [3/4] between [5/6], [7/8].
- 3) Attach baseplates to both sides of assembled frame. See **Baseplate Attachment** detail. Raise Frames to upright position.
- 4) Apply SEG graphic to assembled frames. See General Information sheet **SEG Graphic Installation** detail.
- 5) Attach Wings to A10 clips. See **A10 Clamp Attachment** detail. Connect Left and Right assemblies with Center Infill panels, attach to A10 clips as shown.
- 6) Attach lights to top of frame. See **Light Attachment** detail.



Completed Assembly

*** Tool-less Corner Connector**

1. Slide extrusion onto Corner Connector.
2. Tighten all knobs to secure connection.

Keep corner connectors attached to horizontal extrusions.

*** Light Attachment**

Attach clamp of stem light to top of horizontal extrusion where desired.

Twist knob on back to tighten in place.

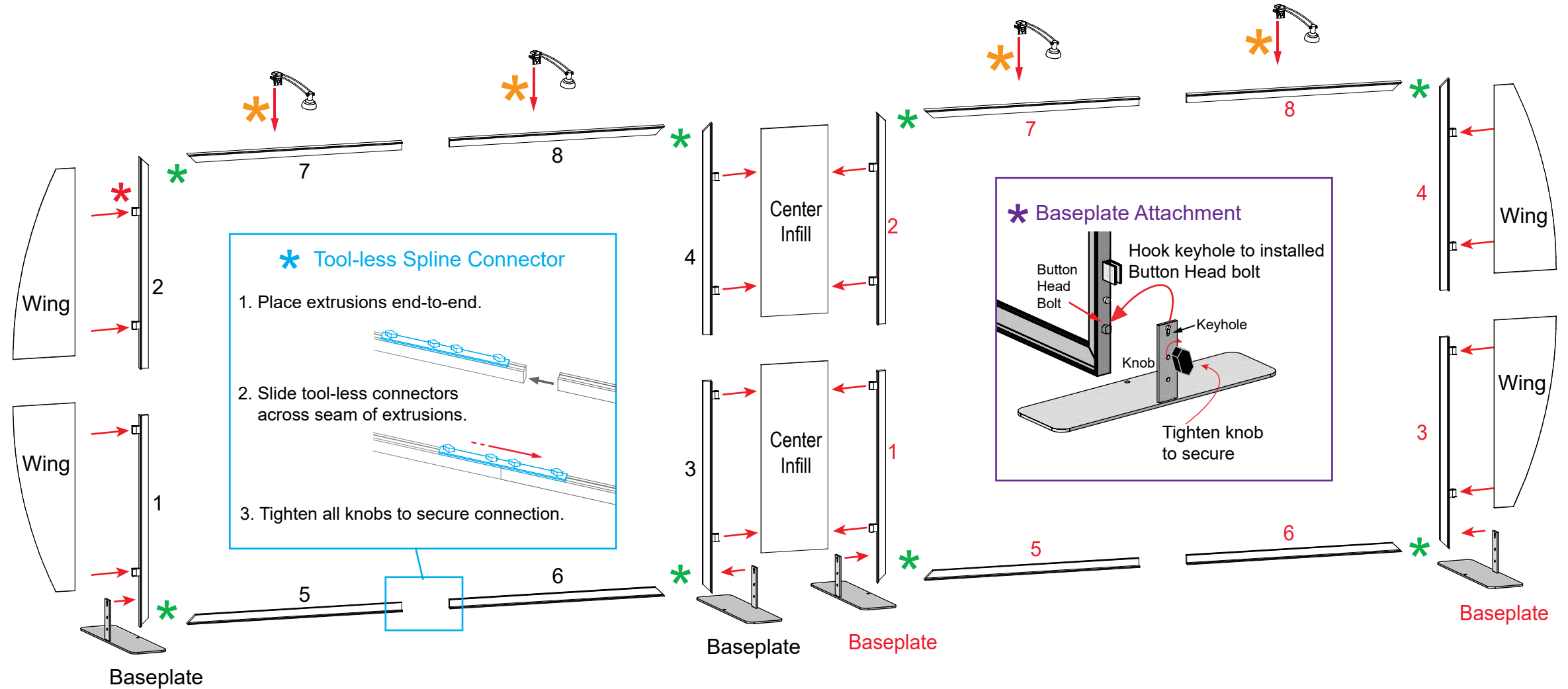
BACK VIEW

*** A10 Clamp Attachment**

Screw A10 clamp to Vertical Extrusion.

Tighten knob to secure Wing in place.

Clamps should NOT be removed. Leave attached when exhibit is packed.



Assemble frames flat on ground.