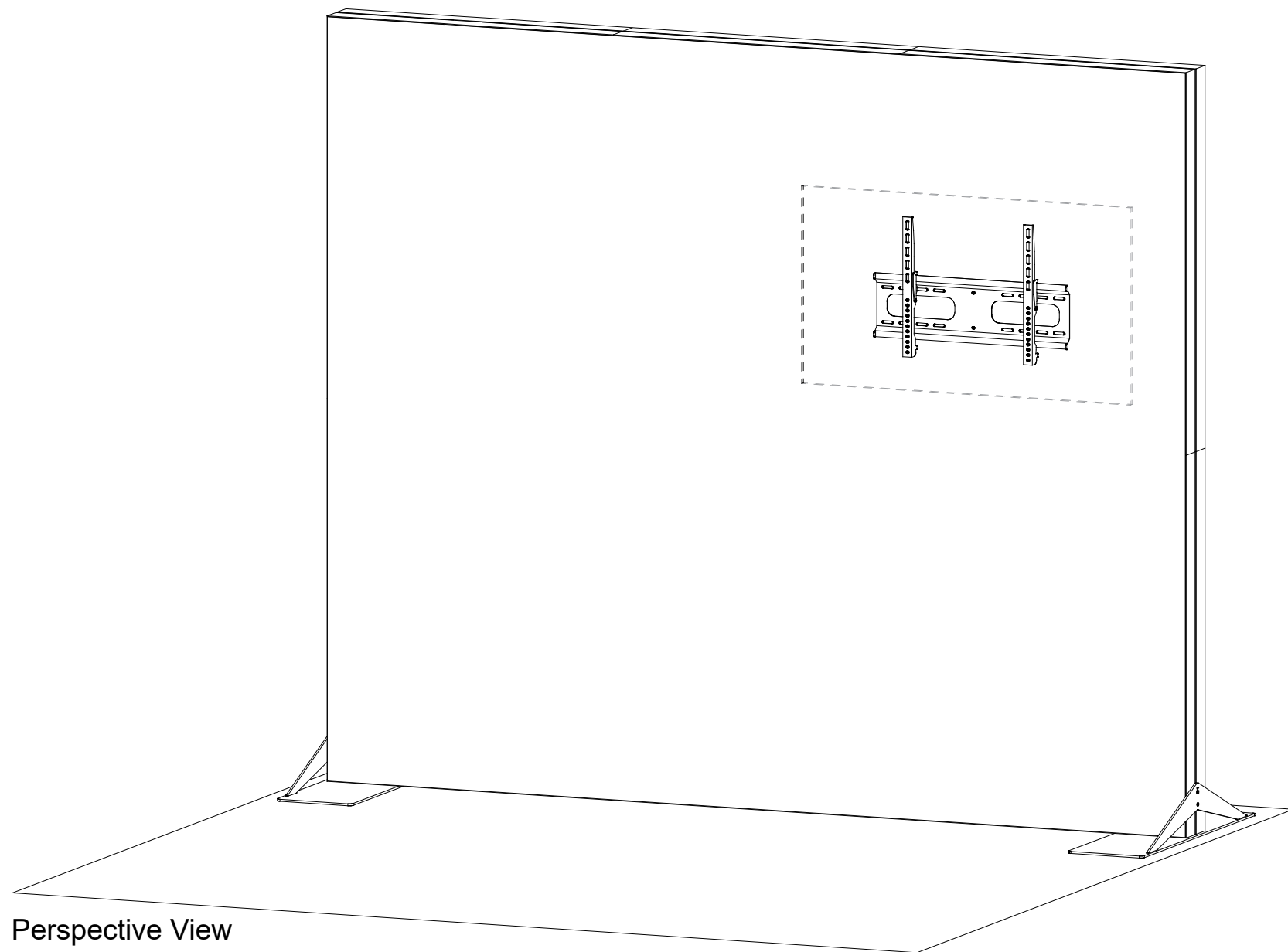
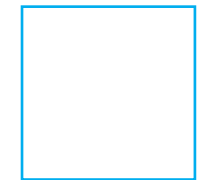
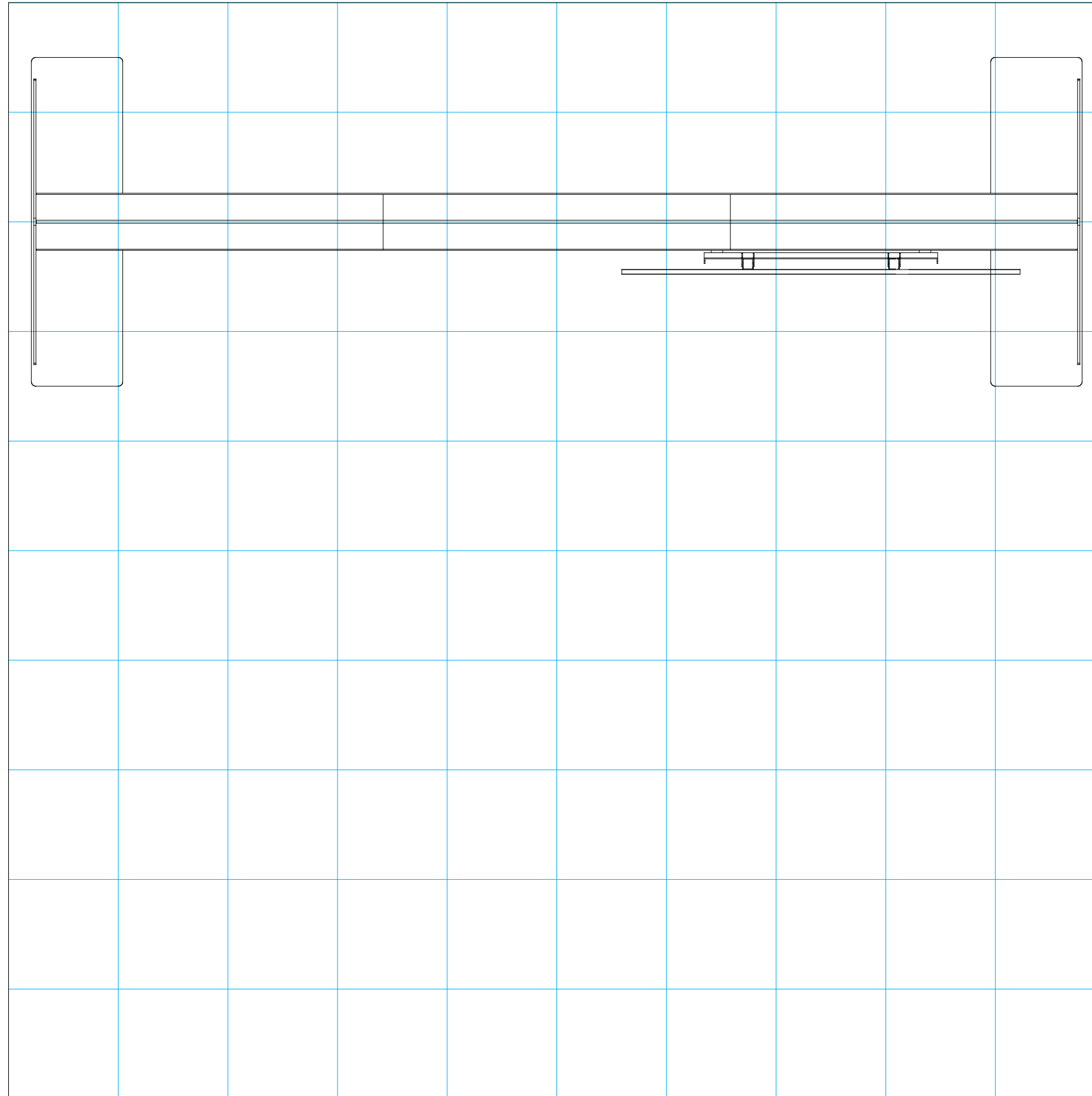


Top View



Perspective View



= 1 sq foot

General Setup Instructions

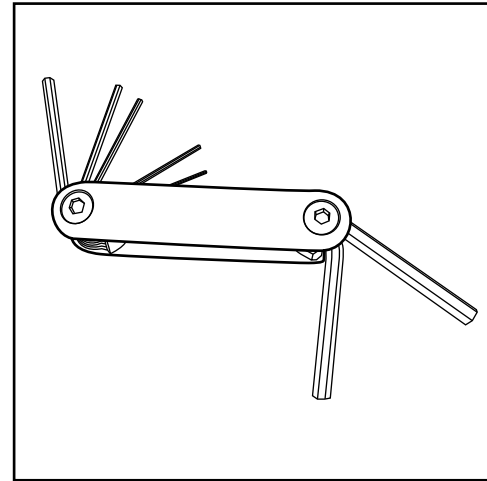
- Read entire setup instruction manual prior to unpacking parts and pieces.
- The setup instructions are created specifically for this configuration.
- Setup instructions are laid out sequentially in steps, including exploded views with detailed explanation for assembly.

Cleaning & Packing

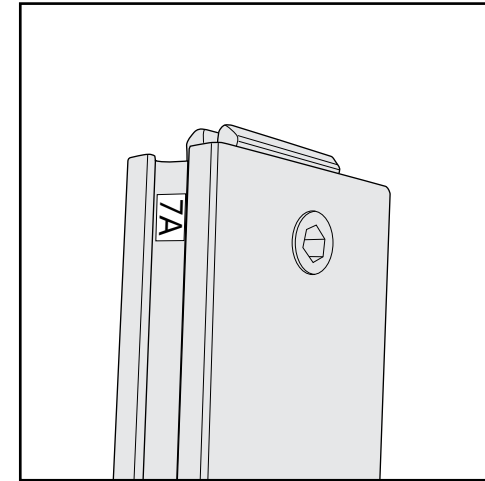
- For Cleaning Metal, Plex, & Laminate Parts: Use a **MILD NON-ABRASIVE** cleanser and soft cloth/paper towel to clean all surfaces.
- Keep exhibit components away from heat and prolonged sun exposure. **Heat and UV exposure will warp and fade components.**
- Retain all provided Packing Materials. All provided packing materials are for ease of repacking & component protection.

Disassembly

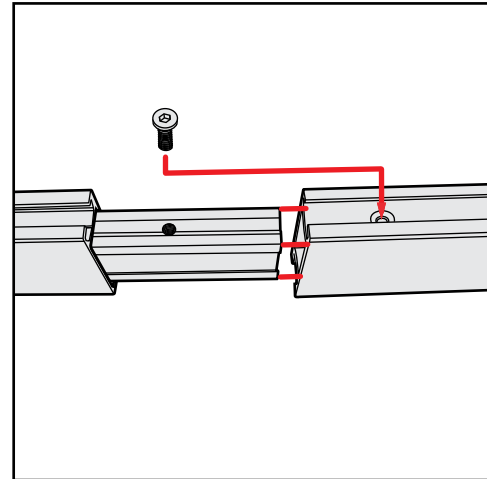
- For loss prevention, tighten all set screws and locks during disassembly.



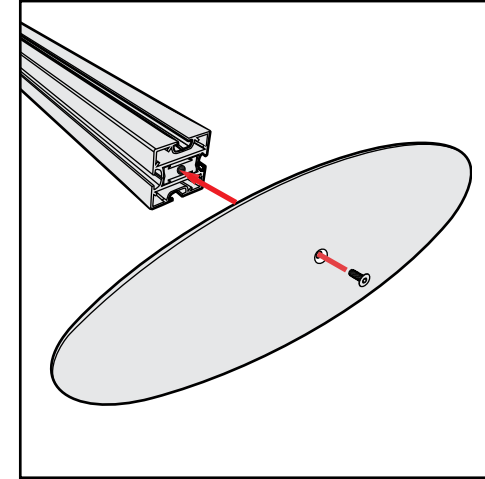
Hex Tool - Essential for Assembly



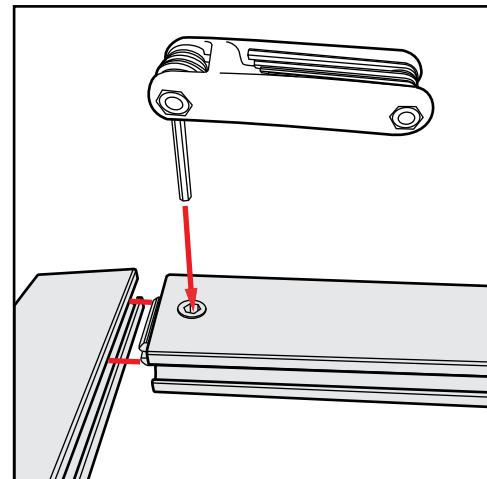
Part Identification - Numbering



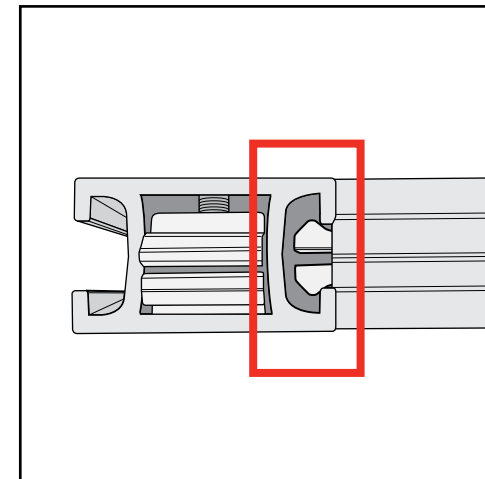
Spline Connection



Base Plate & Extrusion Connection



Extrusion & Lock Connection



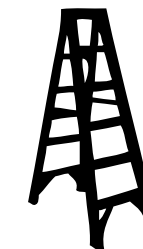
Engaged Lock



WARNING



DO NOT USE POWER TOOLS



LADDERS OR LIFTS
MAY BE REQUIRED

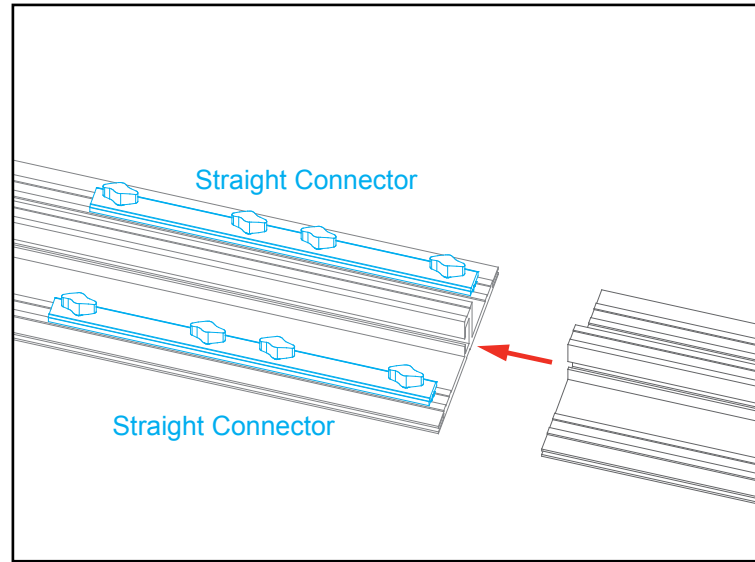


ALL CONNECTIONS MUST
BE TIGHTLY SECURED

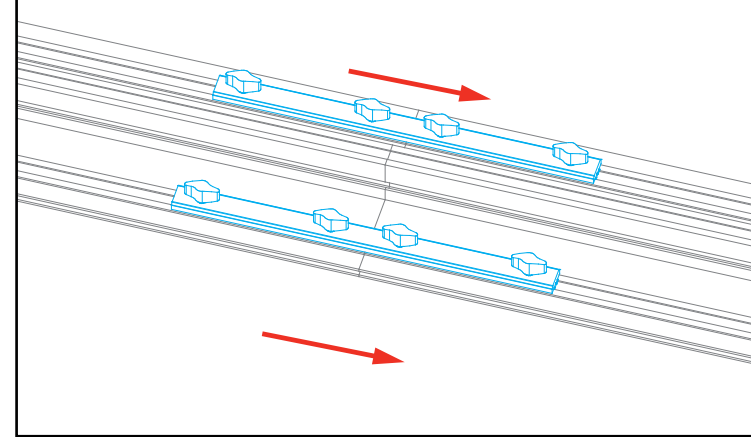
Straight Connection

When assembling frame, first attach all **straight connectors**, then attach **corner connectors**.

- 1) Place extrusions end-to-end.
- 2) Loosen all knobs, then slide **straight connectors** across the seam of extrusions.
- 3) Tighten all knobs to secure connection.



Slide both connectors across seam of extrusions.
Tighten all knobs.



All knobs must be tightened securely to ensure a proper connection.

Disassembly

- 1) Loosen all knobs.
- 2) Slide connectors off of one extrusion.
- 3) Tighten knobs to prevent loss during packing & shipping.

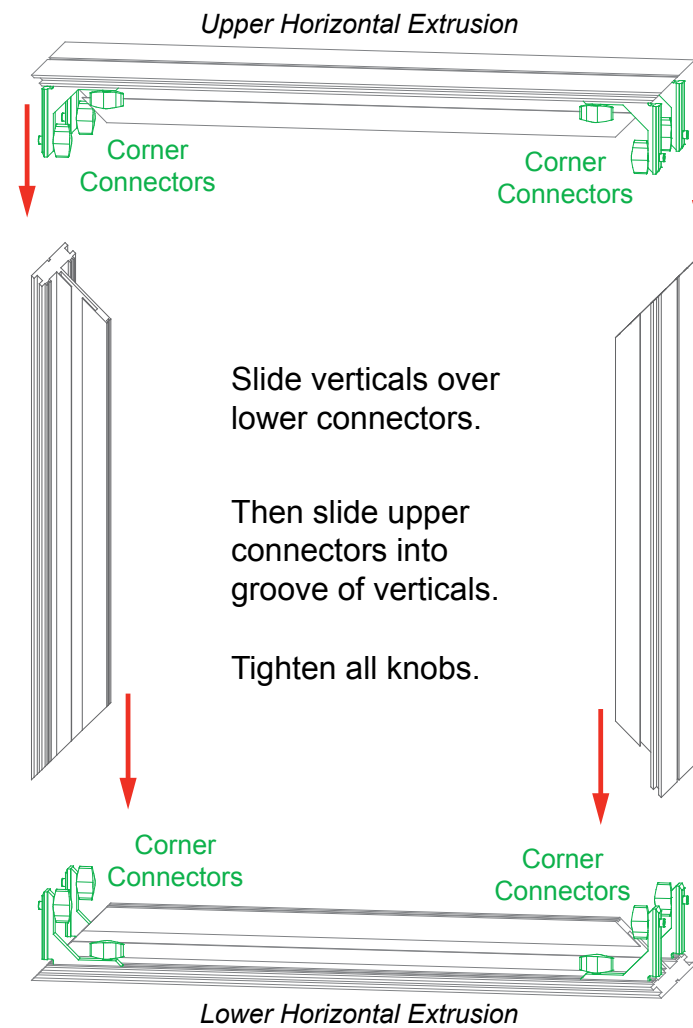
Keep straight connectors in groove of extrusion. Do not remove connectors during disassembly.

Corner Connection

- 1) Loosen knobs, then slide vertical extrusions onto **corner connectors** of **lower** horizontal extrusion.
- 2) Slide **corner connectors** of **upper** horizontal extrusion into grooves of vertical extrusions.
- 3) Tighten all knobs to secure connection.

Disassembly

- 1) Loosen knobs on vertical extrusions.
- 2) Slide the vertical extrusions off of **corner connectors** on lower and upper horizontal extrusions.



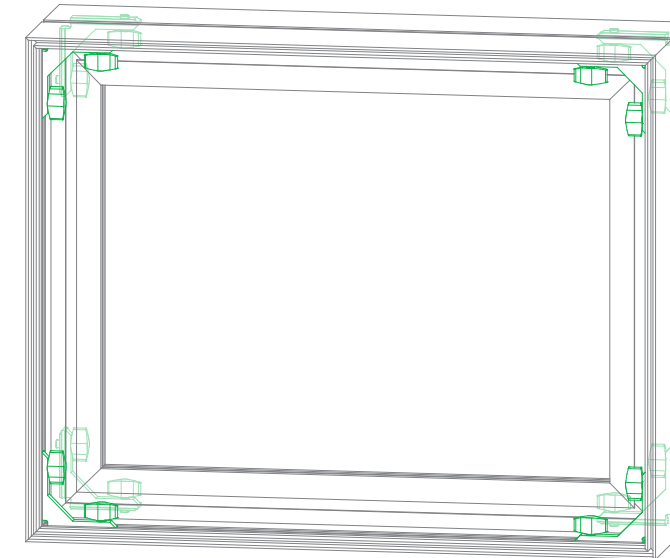
Slide verticals over lower connectors.

Then slide upper connectors into groove of verticals.

Tighten all knobs.

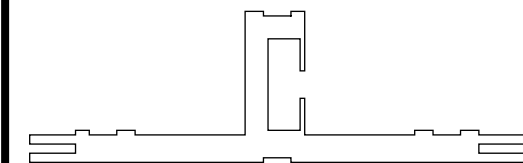


Adjust connectors if necessary to prevent gaps in connection.

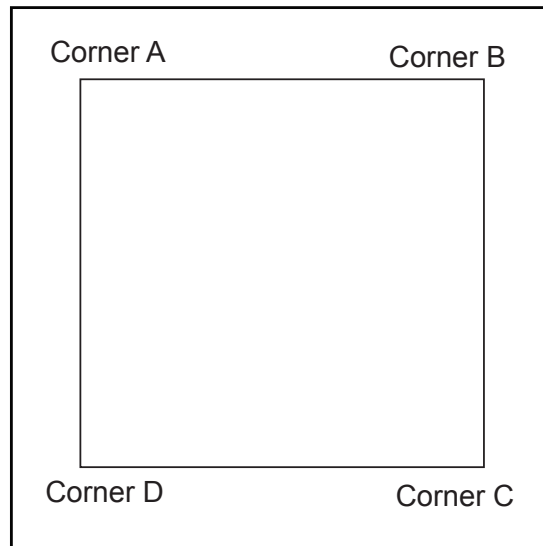


COMPLETED ASSEMBLY

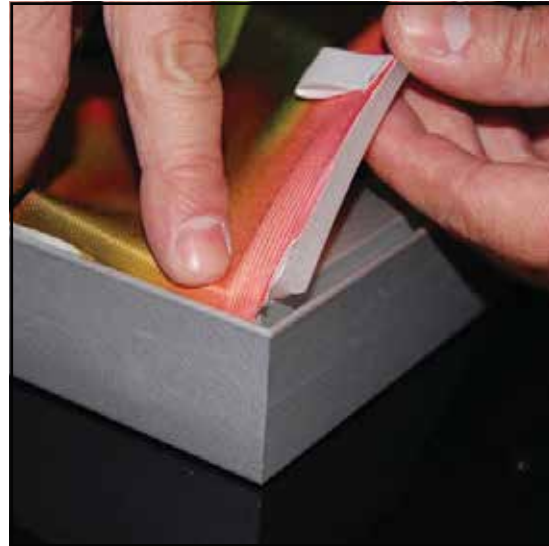
All knobs must be tightened securely to ensure a proper connection.



CEI152 Profile



It is important to first insert graphic into each alternate corner then to the sides of the frame. If this is not done, graphic will not fit into the frame correctly.



Step 1
Insert corner A. Turn edge of graphic so silicon welt is perpendicular to face of graphic. Insert narrow side of welt with fabric to outside into the channel. Repeat for other side of this corner.

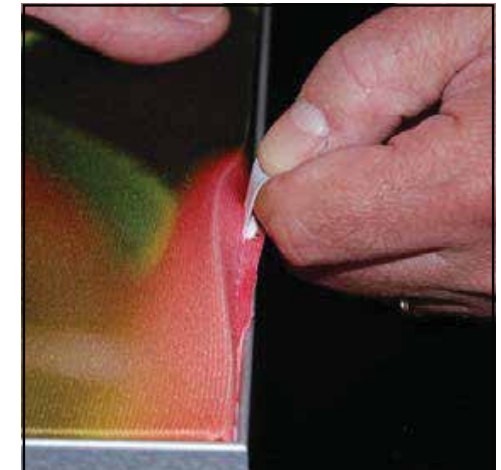


Step 2
Repeat Step 1 for opposite corner C, then insert corner B, followed by corner D, to complete the installation of the corners.



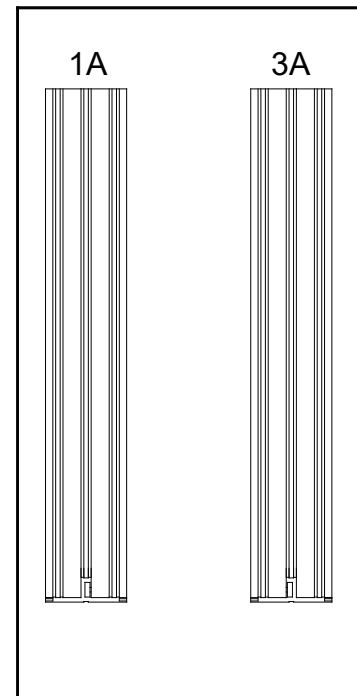
Step 3
Once all corners are inserted, press one silicon edge into channel from corners and work toward the center. Make sure welt is fully inserted into channel. Continue until all sides are done. Smooth out edges of graphic.

Graphic Removal

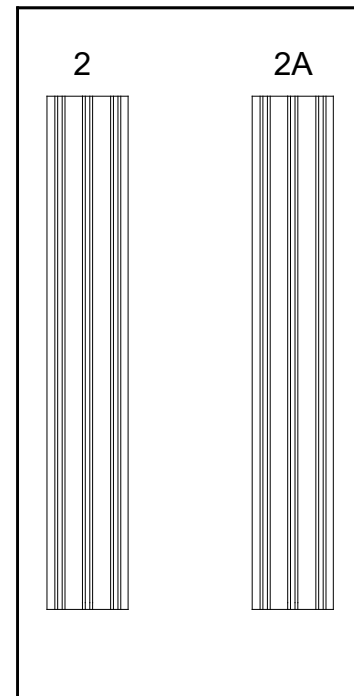


To remove the graphic from the frame, locate the fabric pull tab. Gently pull up on the tab to remove the fabric.

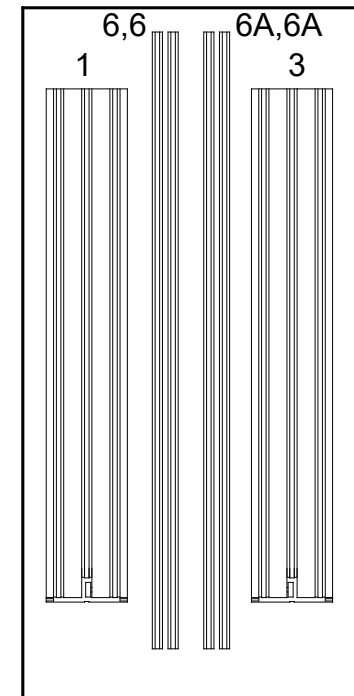
Top View of Each Level



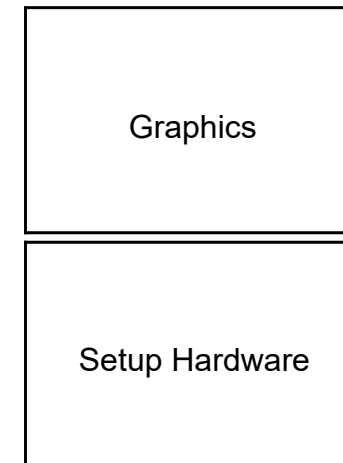
Level 1
(Bottom level)



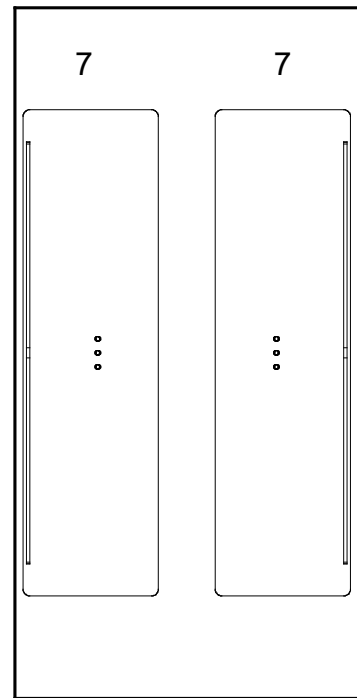
Level 2



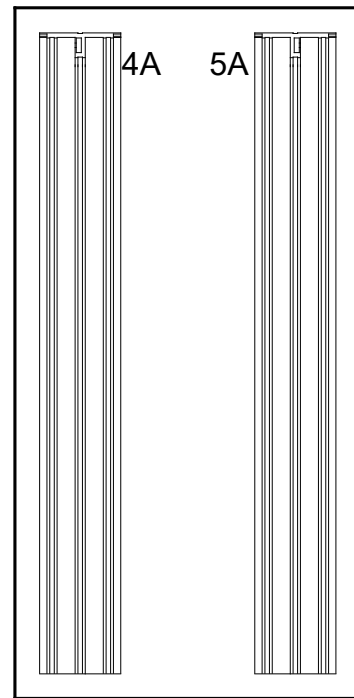
Level 3



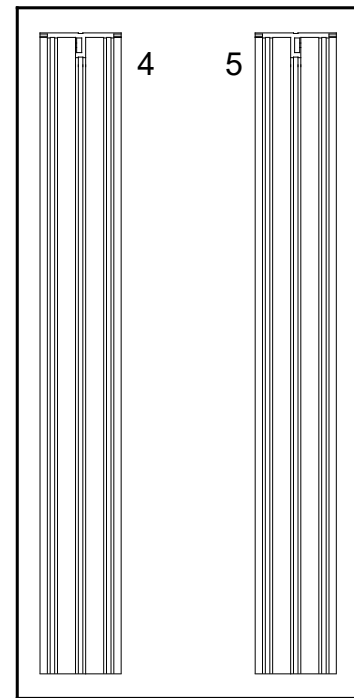
Top View of Each Level



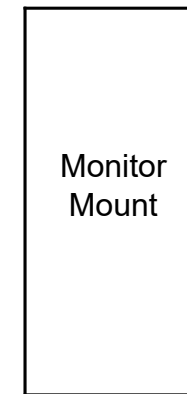
Level 1
(Bottom level)



Level 2



Level 3

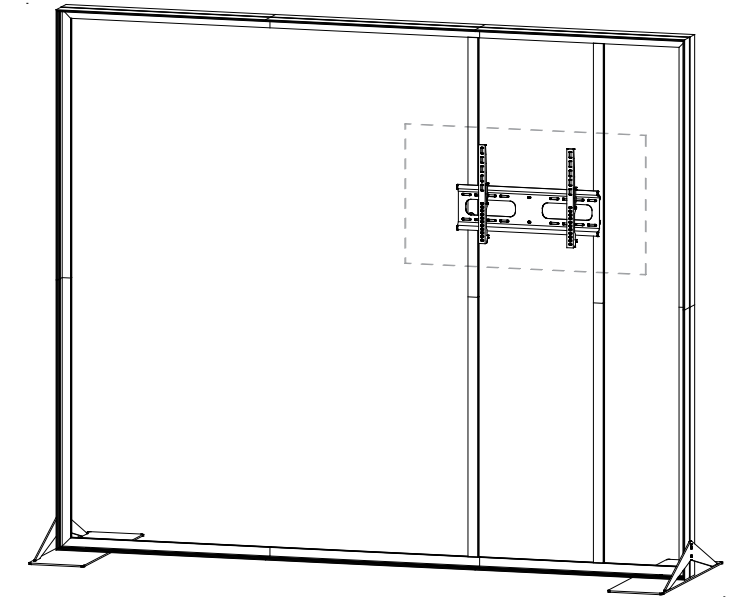


Item	Qty.	Description
1,1A	1,1	38" CEI152 Horizontal Extrusion
2,2A	1,1	38" CEI152 Horizontal Extrusion
3,3A	1,1	38" CEI152 Horizontal Extrusion
4,4A	1,1	47.5" CEI152 Vertical Extrusion
5,5A	1,1	47.5" CEI152 Vertical Extrusion
6,6A	2,2	45.677" Z45 Vertical Extrusion
7	2	Base Plate

Steps:

- 1) Assemble CEI152 extrusions together, flat on floor. See CEI152 Frame Assembly sheet, for instruction.
- 2) Connect extrusions [6] and [6A] together. See [Z45 Straight Connection](#) detail.
- 3) Attach [6/6A] assemblies into assembled CEI152 frame. See [Z45 Attachment](#) detail.
- 4) Attach base plates to [1/4] and [3/4A]. See [Base Plate Attachment](#) detail.
- 5) Install SEG graphic to front and blocker fabric to back of assembled frame. See SEG Graphic Installation sheet for instruction.
- 6) Attach monitor mount to extrusions [6A]. See [Monitor Mount Attachment](#) detail.

Keep connectors attached to [6], when packing.



Completed Assembly

