

Controlling the RGB LED lights

Static Mode:

1. Use the Color Ring key to select a color.
2. Saturation is controlled with W/R/G/B keys.
3. White mode is available by long-pressing 'ON' key.
4. Colors (not white) are dimmable with the Brightness key.

Dynamic Mode:

Press "M" key to cycle through the following options:

1. White light fades in and out.
2. Several colors fade in and out.
3. R,G,B three colors fade in and out.
4. R,G,B three colors flash.
5. Six colors flash.
6. Random color flashes.
7. Red color fades in and flashes.
8. Green color fades in and flashes.
9. Blue color fades in and flashes.

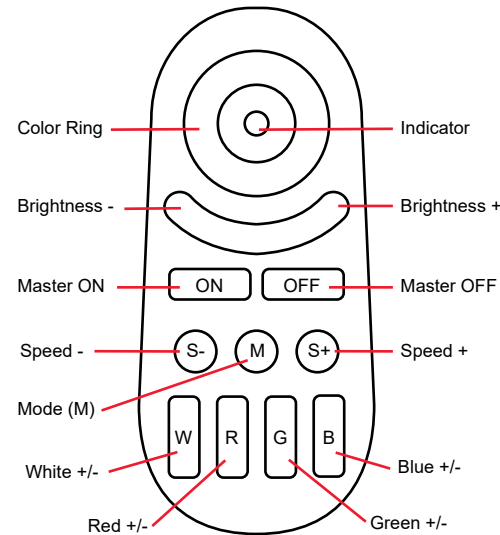
To Pair a Remote with Multiple Units:

1. Power on the lights.
2. Press 'ON' key within 3 seconds.
3. Lights will blink when link is made.

To unpair: Long press 'ON' key within 3 seconds after switching on lights.

Remotes can be paired with one or more receivers. Different receivers can work synchronously even when started at different times (within 30 min).

Function of Keys

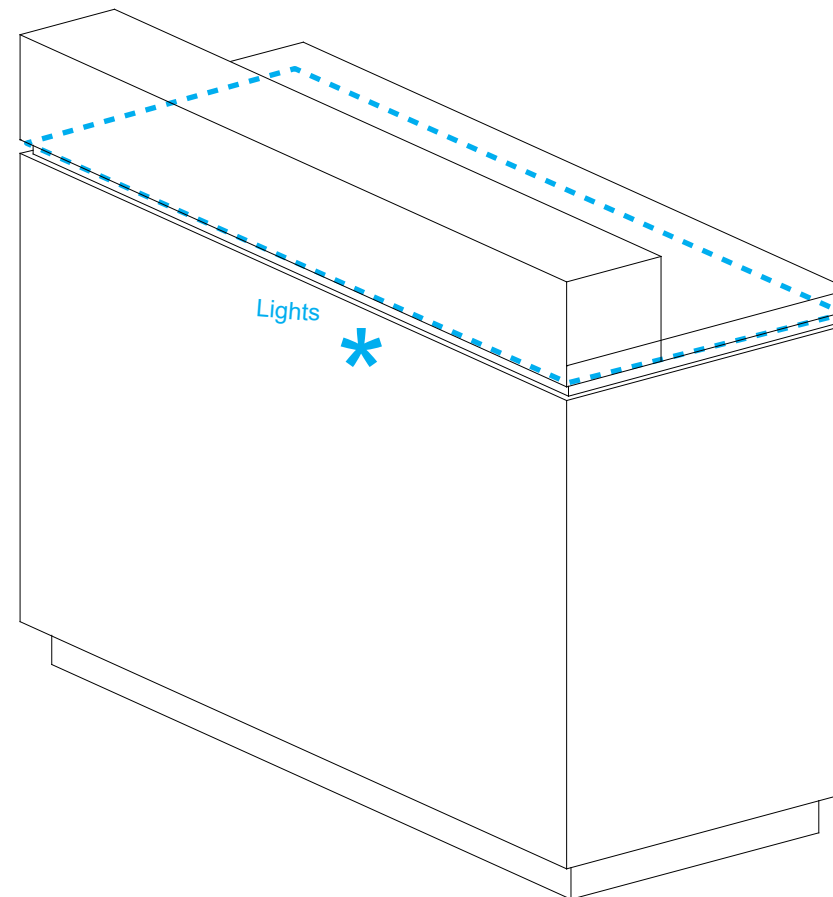


Specifications:

- | | |
|-------------------------------|-----------------------------|
| Receiver: | Remote Control: |
| 1. Working voltage: DC12V/24V | 1. Working voltage: 3V |
| 2. Output: Max. 6A/Channel | 2. Standby power: <20uA |
| 3. Total output Max. 10A | 3. Transmitting power: 6dBm |
| 3. Max standby power: 0.5W | |

Steps:

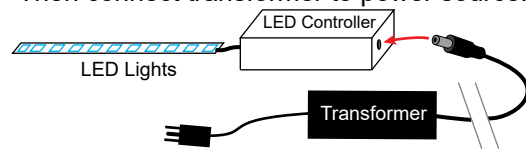
- 1) Connect power cords to perimeter LED Lights, as shown.



MOD-1729

*** RGB LED Power Cord Attachment**

Connect transformer to RGB LED Controller. Then connect transformer to power source.



SETUP INSTRUCTIONS