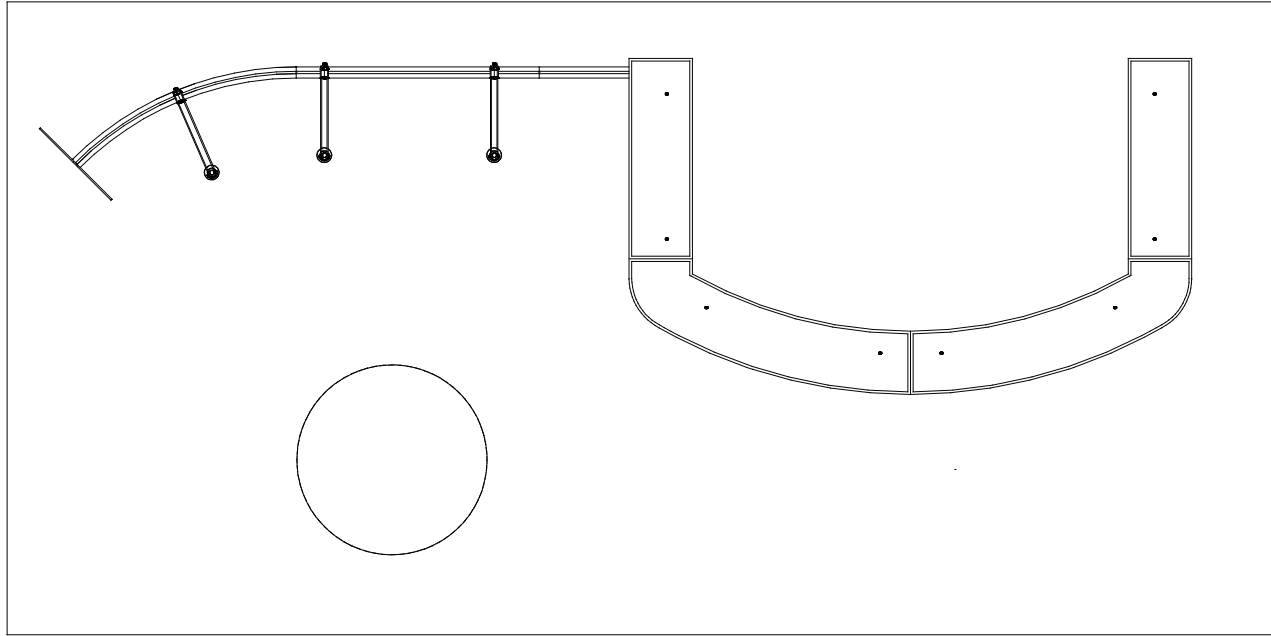
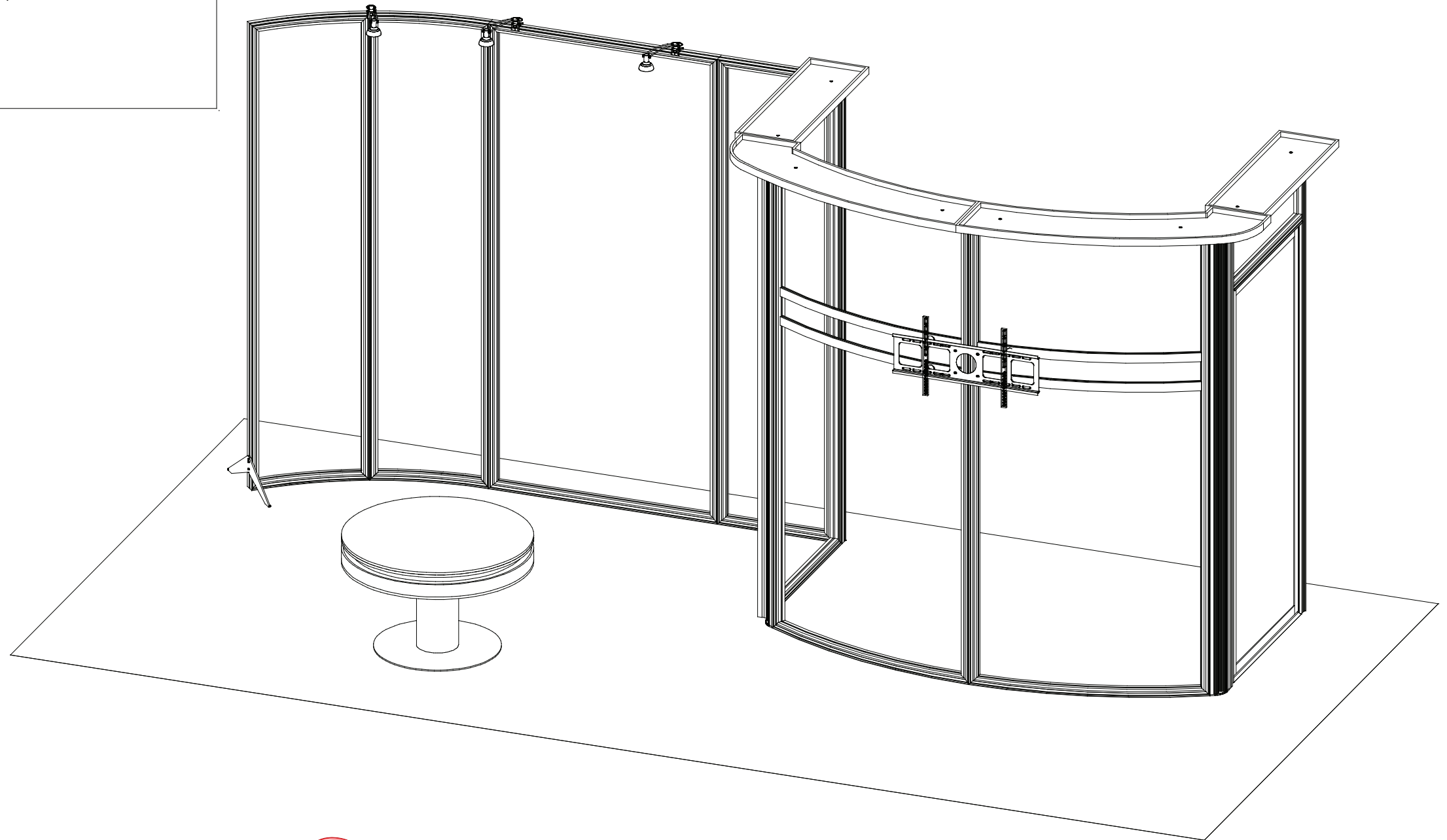


20'



10'

Plan View



## General Setup Instructions

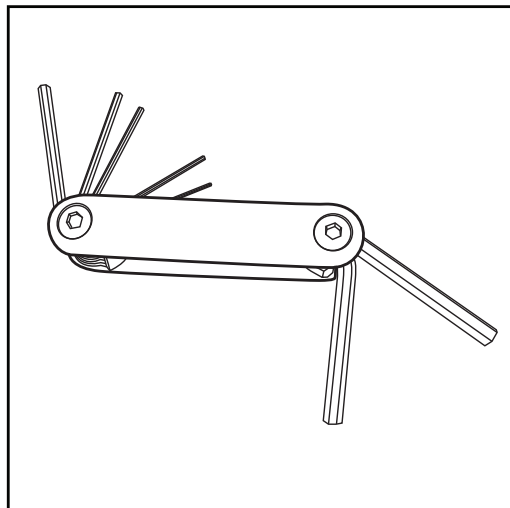
- Read entire setup instruction manual prior to unpacking parts and pieces.
- The setup instructions are created specifically for this configuration.
- Setup instructions are laid out sequentially in steps, including exploded views with detailed explanation for assembly.

## Cleaning & Packing

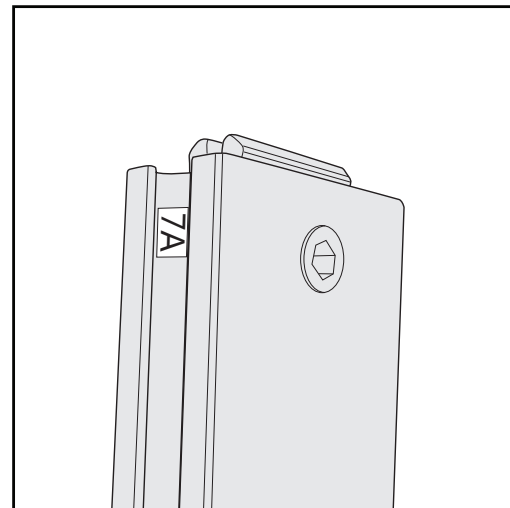
- For Cleaning Metal, Plex, & Laminate Parts: Use a **MILD NON-ABRASIVE** cleanser and soft cloth/paper towel to clean all surfaces.
- Keep exhibit components away from heat and prolonged sun exposure.  
**Heat and UV exposure will warp and fade components.**
- Retain all provided Packing Materials. All provided packing materials are for ease of repacking & component protection.

## Disassembly

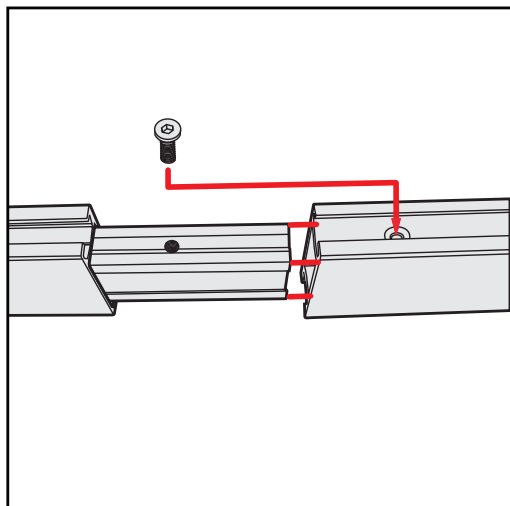
- For loss prevention, tighten all setscrews and locks during disassembly



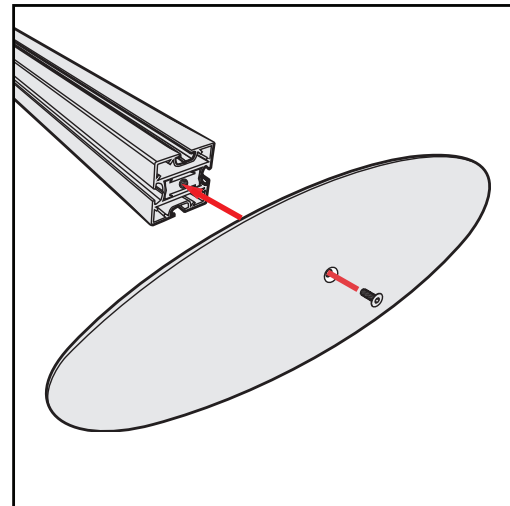
Hex Tool - Essential for Assembly



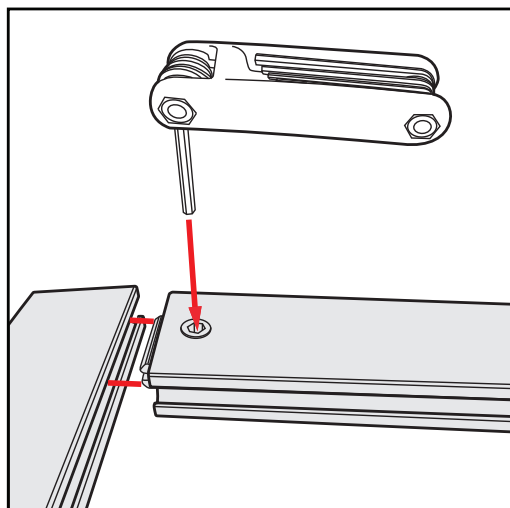
Part Identification - Numbering



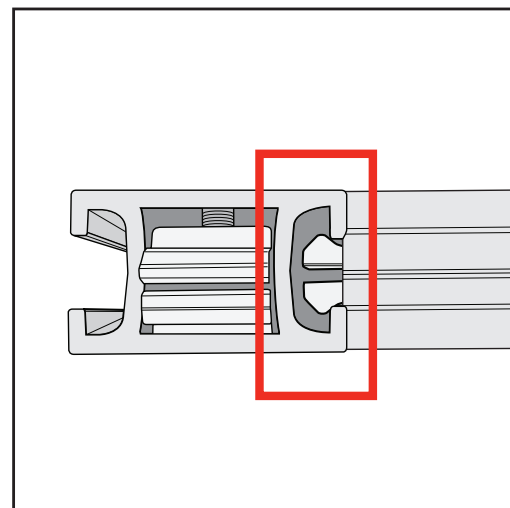
Spline Connection



Base Plate & Extrusion Connection



Extrusion & Lock Connection



Engaged Lock



# WARNING



DO NOT USE POWER TOOLS



LADDERS OR LIFTS  
MAY BE REQUIRED



ALL CONNECTIONS MUST  
BE TIGHTLY SECURED

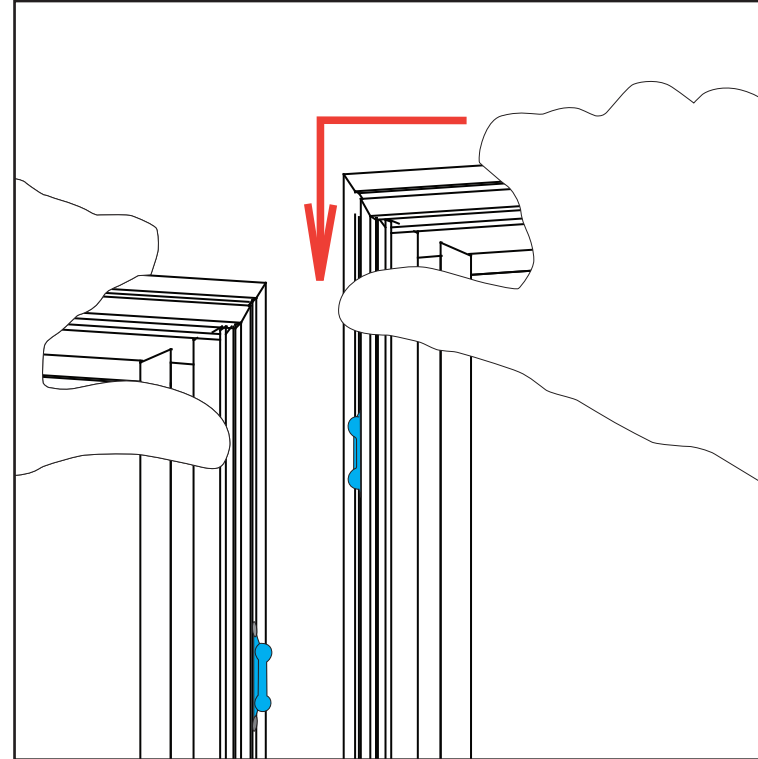
## Side-by-Side Assembly

- 1) Frames: Place frames side-by-side with one higher than the other, then slide panel down to lock panels securely together.
- 2) Corner Connectors: Repeat Step 1 for installing corner connectors to frames.

## Side-by-Side Disassembly

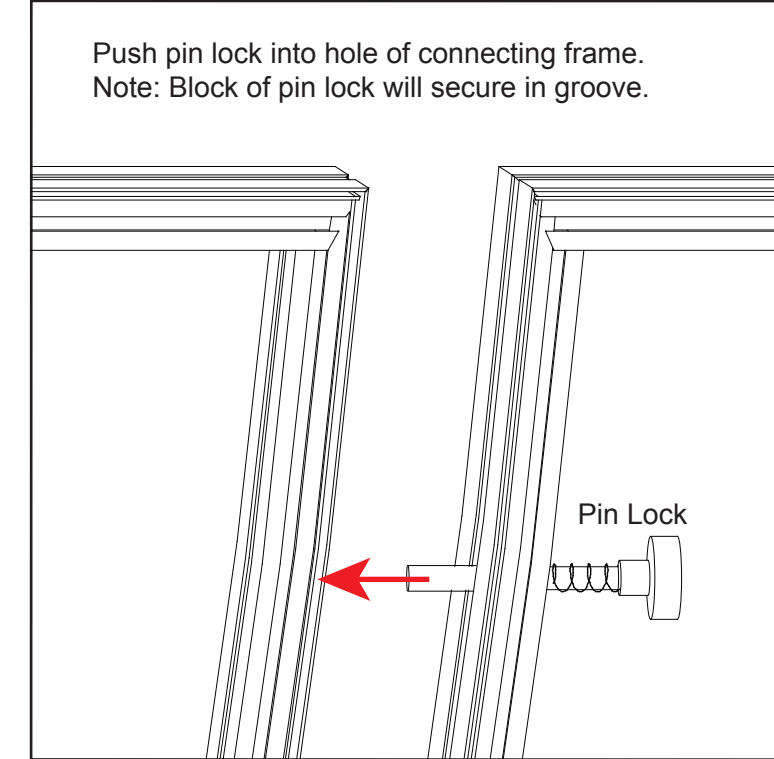
- 1) Pull pin lock outwards to disengage.
- 2) Pull frames upward and apart at the same time to detach.

Assembly

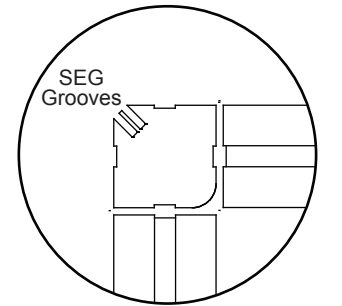


Assembly Cont'd

Push pin lock into hole of connecting frame.  
Note: Block of pin lock will secure in groove.



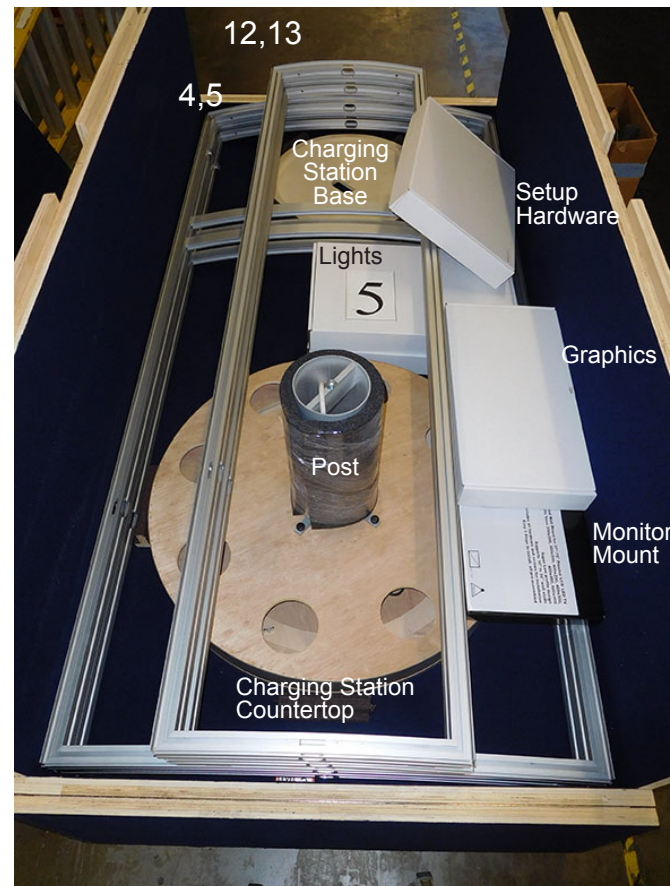
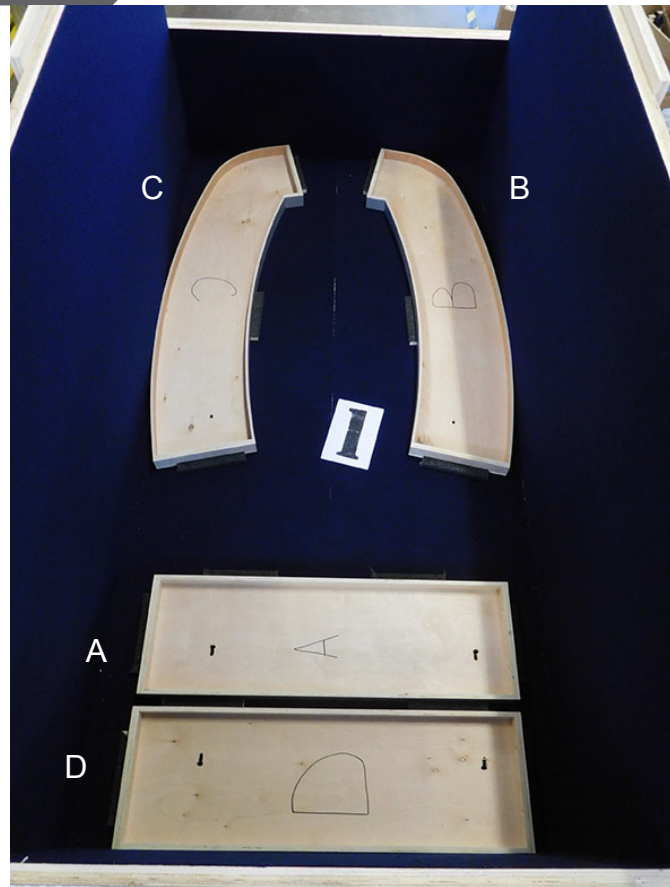
Corner Connector



Top View

Note: Orientation of Corner Connector may change.



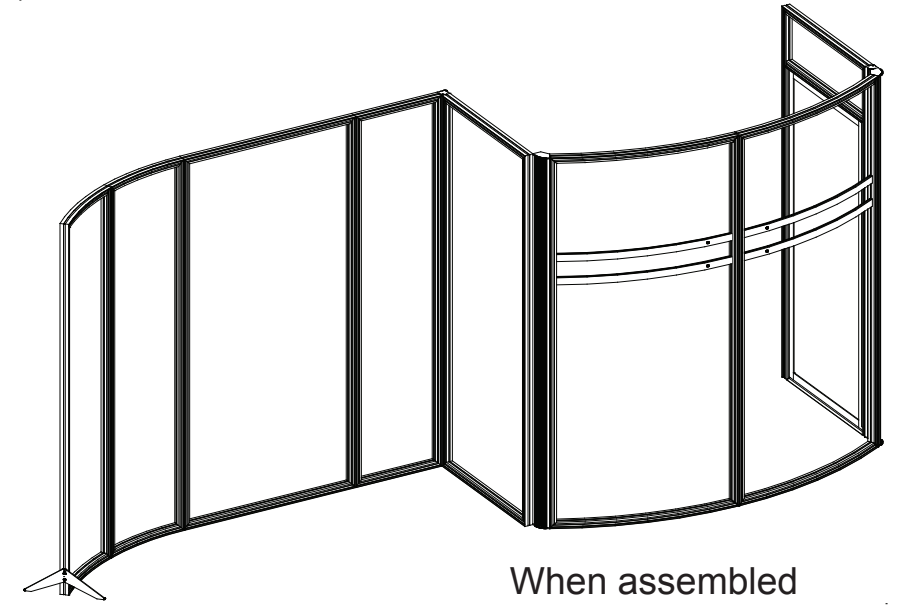




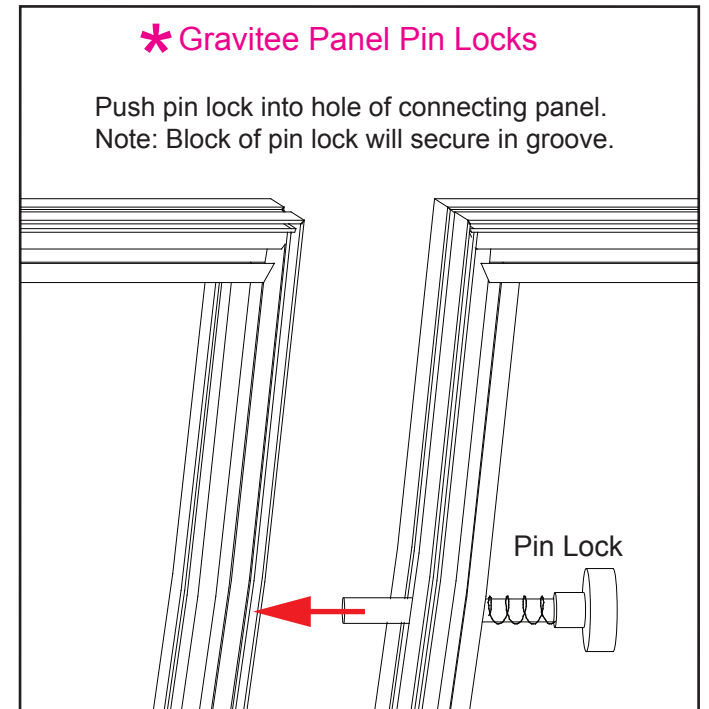
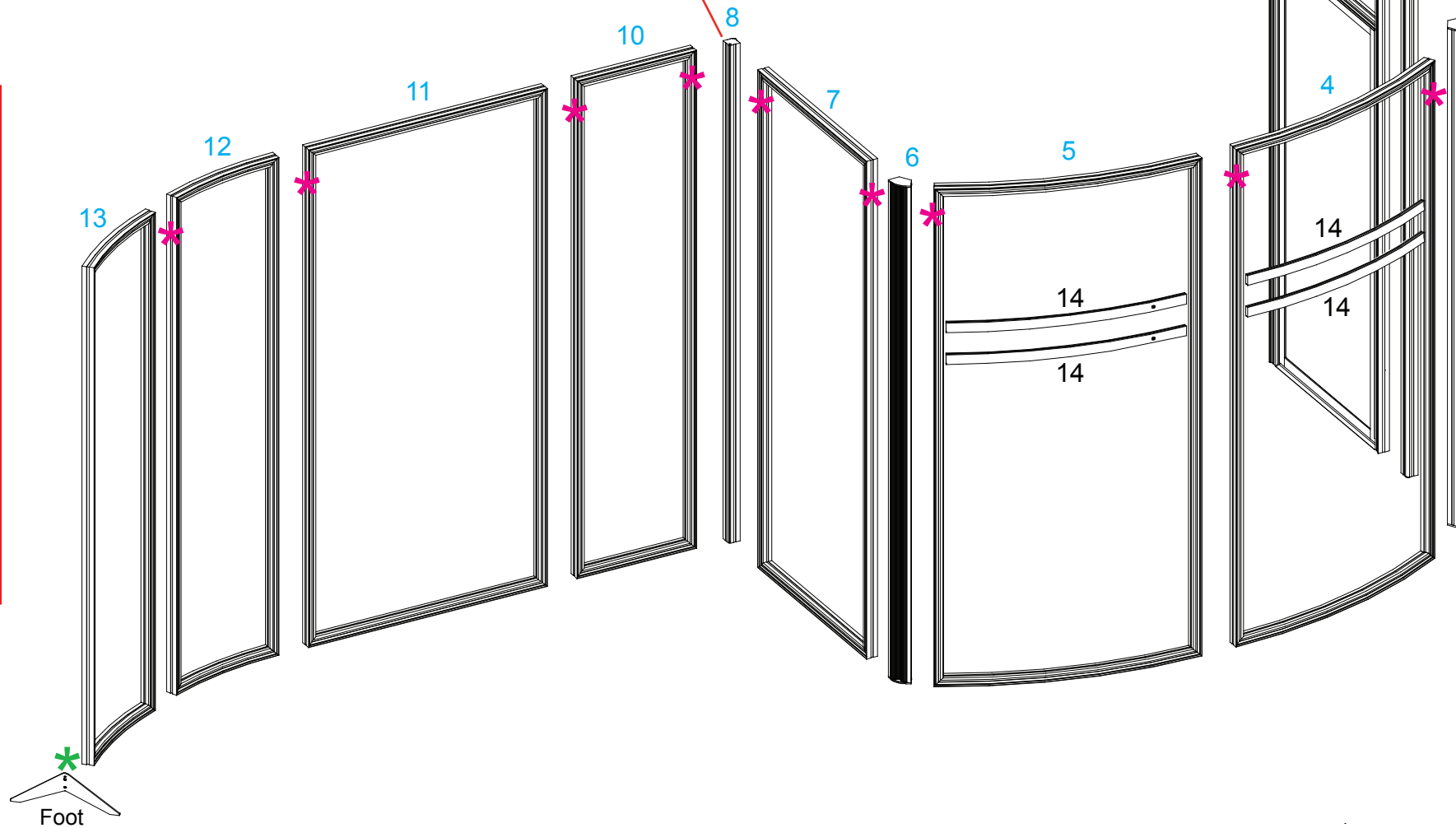
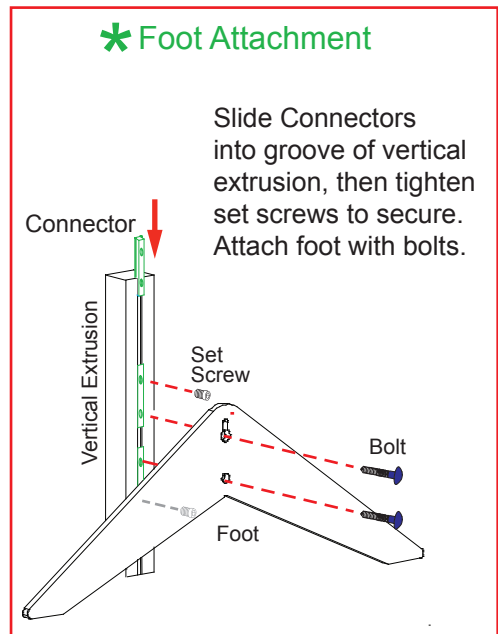
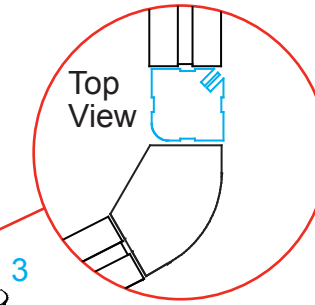
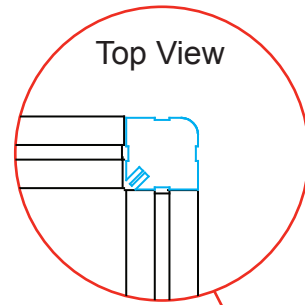
Item	Qty.	Description
1	1	38" w x 95" h Gravitee Door Panel
2	1	95" h Gravitee Corner Post
3	1	94.5" h Gravitee Hinged Connector
4	1	46" w x 95" h Gravitee curved Panel
5	1	46" w x 95" h Gravitee curved Panel
6	1	94.5" h Gravitee Hinged Connector
7	1	38" x 95" h Gravitee Panel
8	1	95" h Gravitee Corner Post
10	1	23" w x 95" h Gravitee Panel
11	1	46" w x 95" h Gravitee Panel
12	1	23" w x 95" h Gravitee curved Panel
13	1	23" w x 95" h Gravitee curved Panel
14	4	42.6179" w Z45 Horizontal Extrusion

Steps:

- 1) Assemble Gravitee panels & connectors together in numerical order as shown.
- 2) Attach horizontal extrusions [14] inside panels [4] and [5].
- 3) Attach Boomerang Foot to Panel [13].  
See **Foot Attachment** detail.

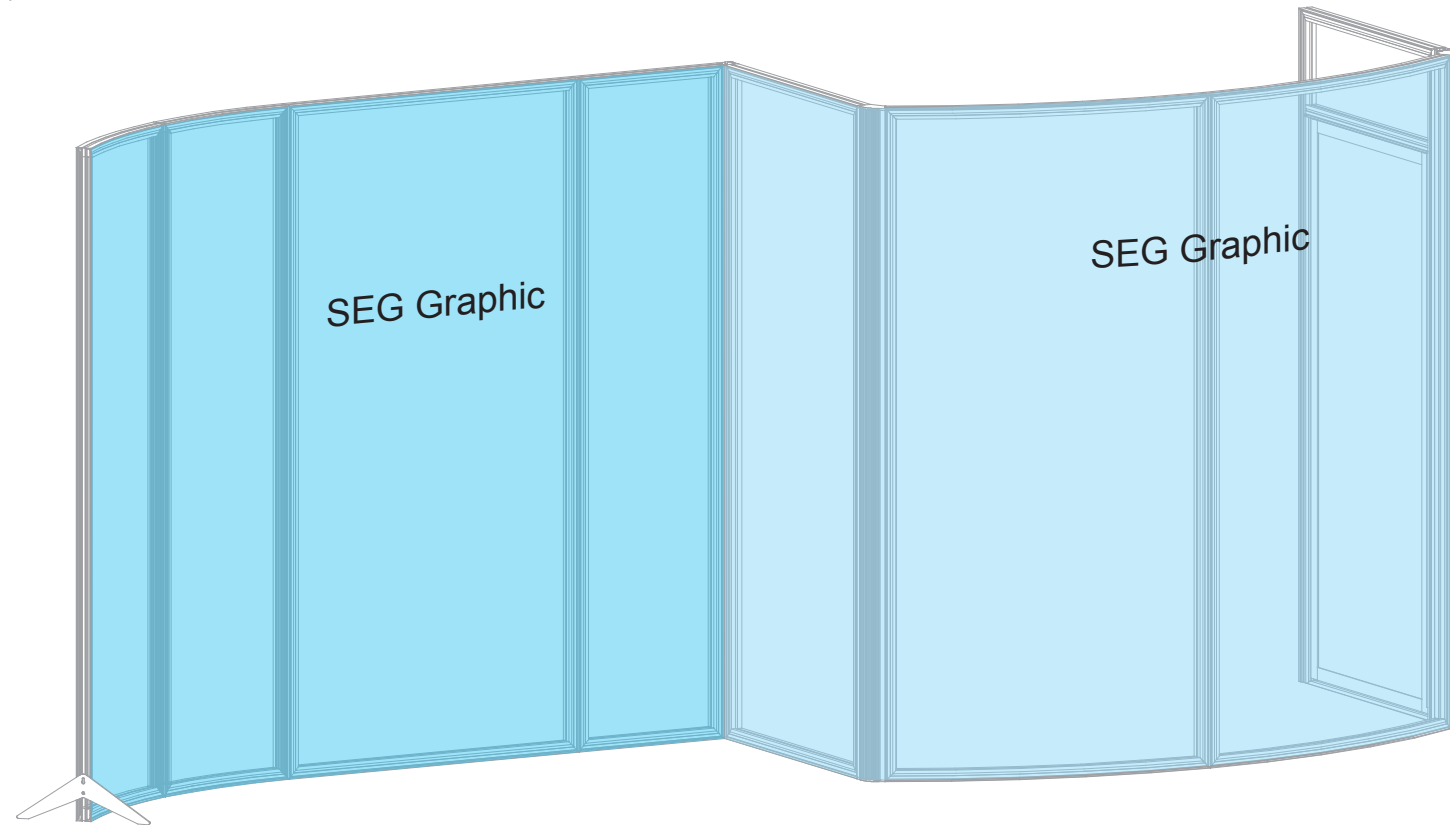


When assembled

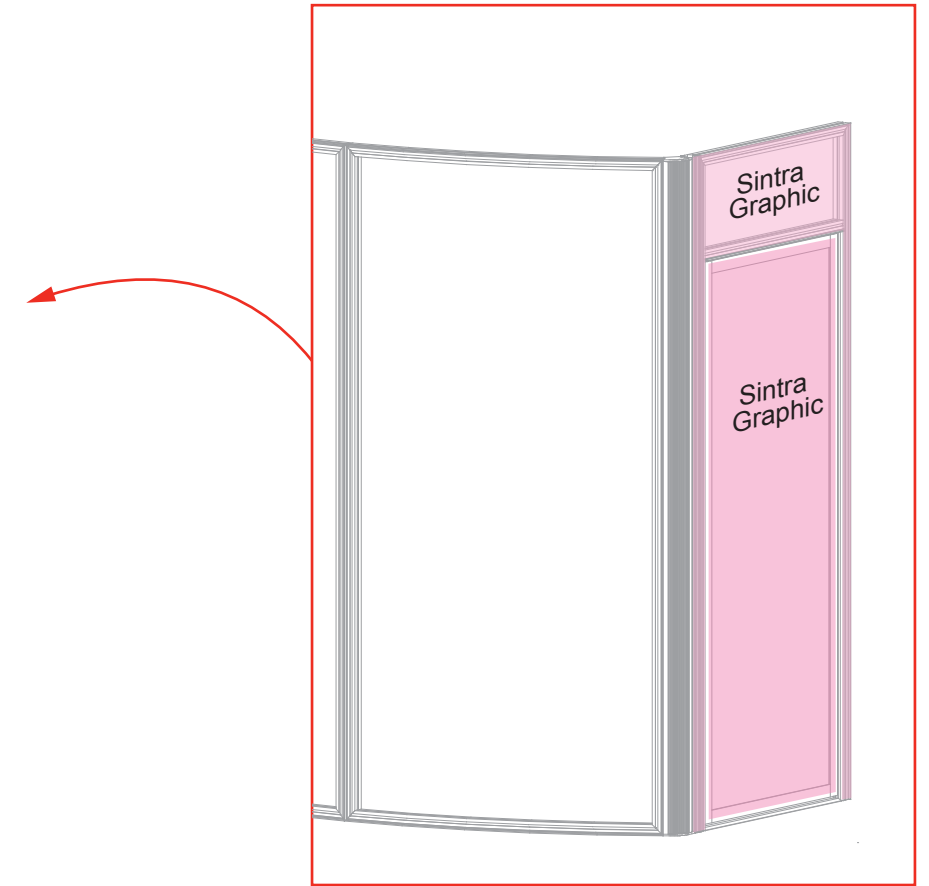


Steps:

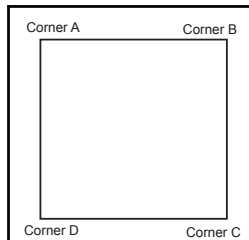
- 1) Apply SEG graphics to front of assembled Backwall.
- 2) Insert Sintra graphic into assembled Backwall door frame.
- 3) Connect Sintra graphic to Velcro on front of assembled Backwall door section.



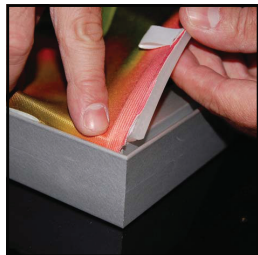
Front View



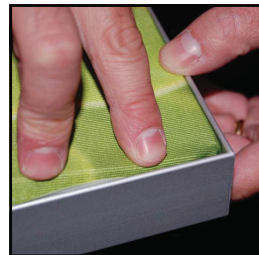
## SEG Graphic Installation



It is important to first insert graphic into each alternate corner then to the sides of the frame. If this is not done, graphic will not fit into the frame correctly.



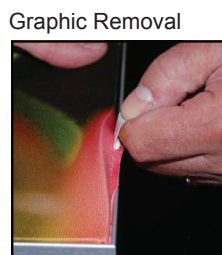
**Step 1**  
Insert corner A. Turn edge of graphic so silicon welt is perpendicular to face of graphic. Insert narrow side of welt with fabric to outside into the channel. Repeat for other side of this corner.



**Step 2**  
Repeat Step 1 for opposite corner C, then insert corner B, followed by corner D, to complete the installation of the corners.



**Step 3**  
Once all corners are inserted, press one silicon edge into channel from corners and work toward the center. Make sure welt is fully inserted into channel. Continue until all sides are done. Smooth out edges of graphic.

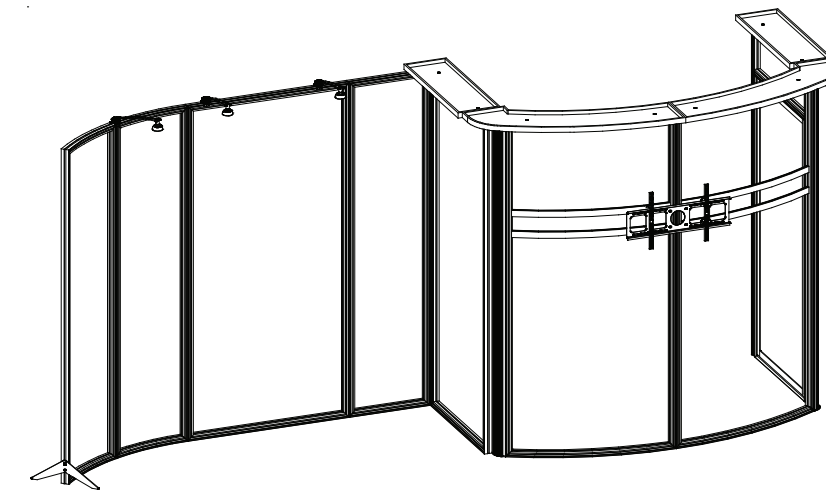


Graphic Removal

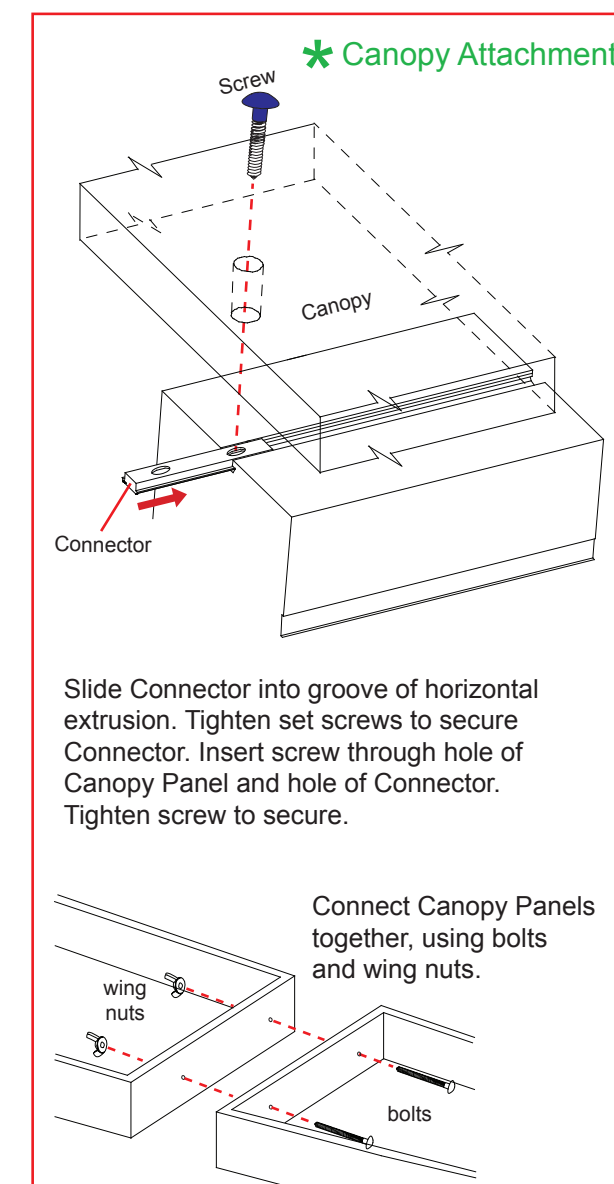
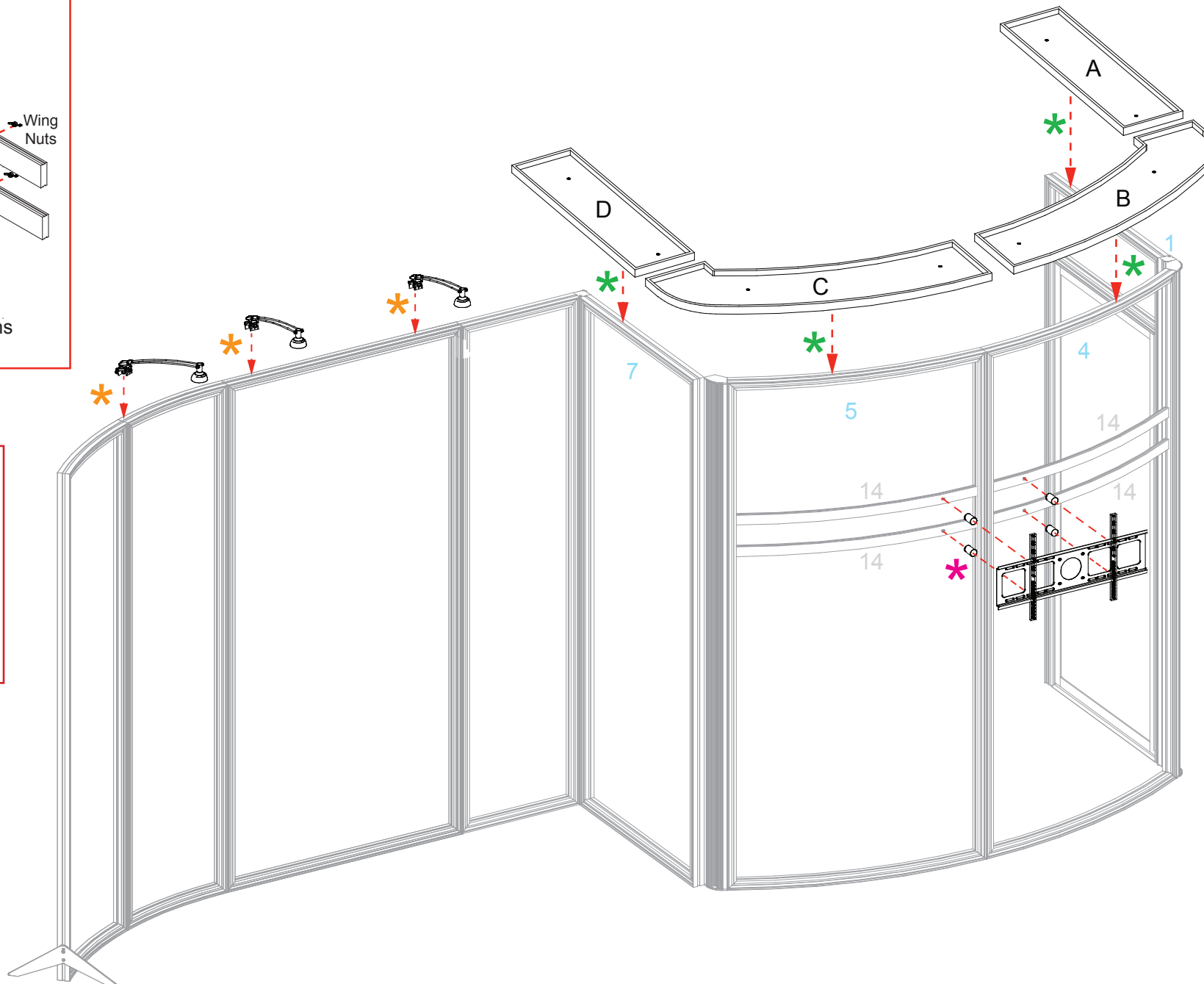
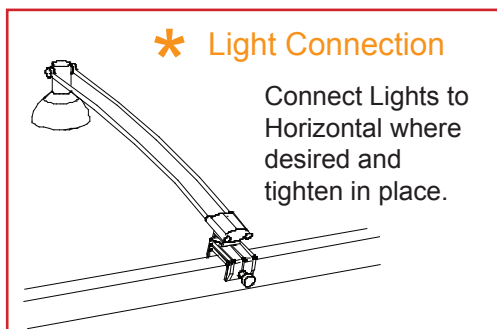
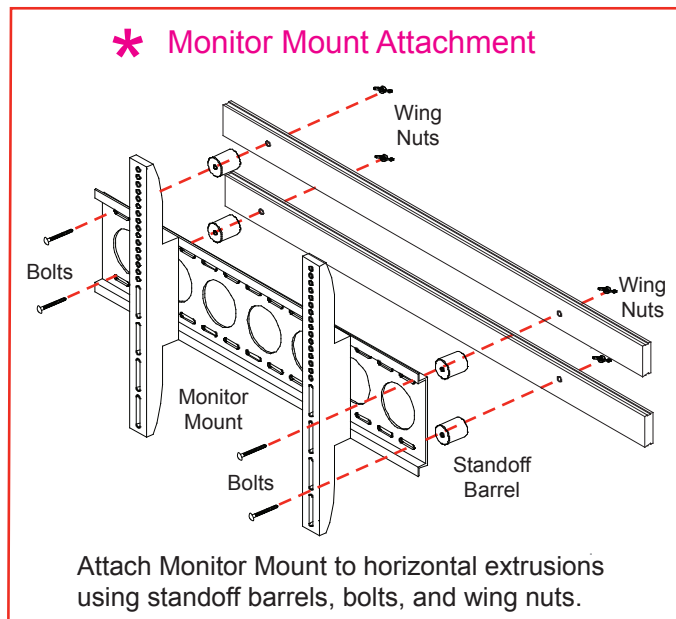
To remove the graphic from the frame, locate the fabric pull tab. Gently pull up on the tab to remove the fabric.

Item	Qty.	Description
A	1	12' x 38" Canopy Panel
B	1	53.24" x 25.717" Canopy Panel
C	1	53.24" x 25.717" Canopy Panel
D	1	12' x 38" Canopy Panel

- Steps:
- 1) Install Canopy Panels [A,B,C,D] to top of Gravitee panels [1,4,5,7]. See [Canopy Attachment](#) detail.
  - 2) Attach Lights to Backwall. See [Light Connection](#) detail.
  - 3) Attach Monitor Mount to Backwall extrusions [14]. See [Monitor Mount Attachment](#) detail.

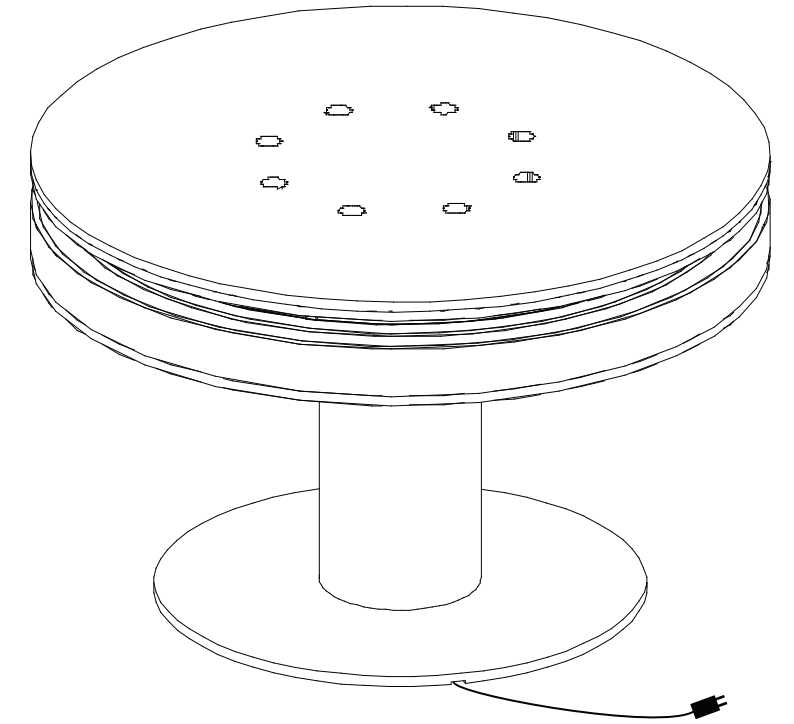
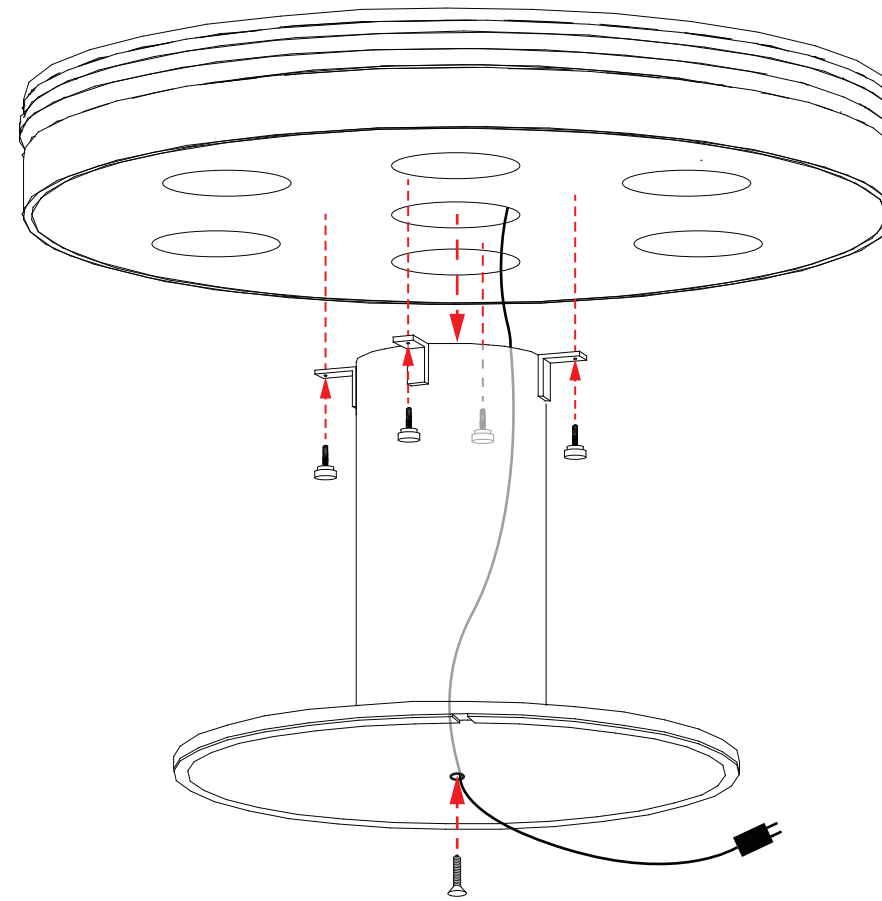
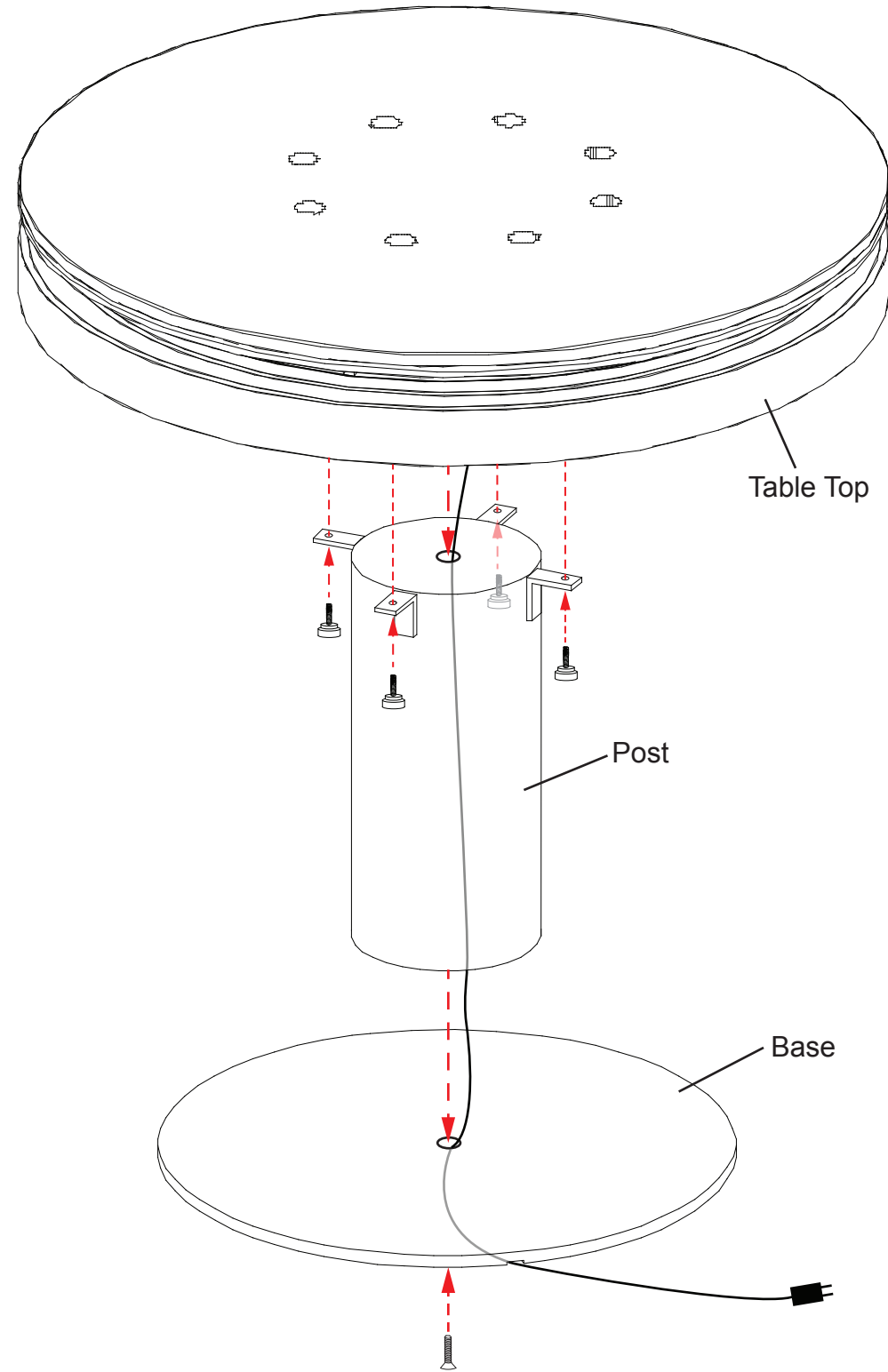


When assembled



Steps:

- 1) Connect base to post, using bolt.
- 2) Feed cord, from table top, through post and base.
- 3) Connect table top to post with fixed brackets, using bolts.



Completed Assembly